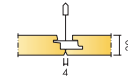




ECOPHON FOCUS™ DS



For applications where a suspended ceiling with a concealed grid is required, but individual tiles must be easily demountable. Ecophon Focus Ds has a concealed grid and symmetrical edge design, allowing easier assembly, integration of light fittings and ventilation. The ceiling has an even appearance, with the bevelled edges forming a discreet groove between the tiles. The tiles are easily demountable.

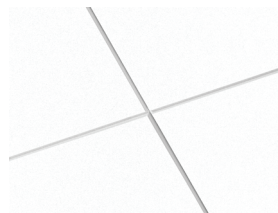
The systems consist of Ecophon Focus Ds tiles and Ecophon Connect grid systems, with an approximate weight of 3-4 kg/m². The tiles are manufactured from high density glass wool. The visible surface has an Akutex™ FT coating and the back of the tile is covered with glass tissue. The edges are painted. For best performance and system quality, use Ecophon Connect grid and accessories. The grid is manufactured from galvanized steel. The system is patented in the US, and patent pending in Europe.



Focus Ds tile



Section of Focus Ds system



Focus Ds system



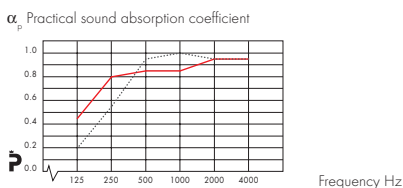
The individual tiles are easily demountable

SYSTEM RANGE

Size, mm	Size, mm						
	600 x 600	1200 x 600	1200 x 1200	1600 x 600	1800 x 600	2000 x 600	2400 x 600
T24	•	•	•	•	•	•	•
Thickness	20	20	20	20	20	20	20
Inst. Diagr.	M206, M208	M206, M208	M207	M206, M208, M238	M206, M208, M238	M206, M208, M238	M206, M208, M238

TECHNICAL PROPERTIES

ACOUSTIC Sound Absorption Test results according to EN ISO 354. Classification according to EN ISO 11654, and the single value ratings for NRC and SAA according to ASTM C 423.



– Ecophon Focus Ds 200 mm o.d.s.
– Ecophon Focus Ds 50 mm o.d.s.
o.d.s = overall depth of system

Product	Focus Ds			
	o.d.s mm	60	75	200 400
Class	B	A	A	
NRC	0,90	-	-	0,80
SAA	0,90	-	-	0,82
α_w				

Sound Insulation $D_{n,w}$ = 24 dB according to ISO 140-9 and evaluation according to EN ISO 717-1. CAC=25 dB according to ASTM E 1414 and evaluation according to ASTM E 413.

Sound Privacy AC(1.5)=180 according to ASTM E 1111 and E 1110.

ACCESSIBILITY The tiles in size 600x600 and 1200x600 are easily demountable. The tiles in size 1200x1200 and XL sizes are demountable. Minimum demounting depth according to installation diagrams.

CLEANABILITY Daily dusting and vacuum cleaning. Weekly wet wiping.

VISUAL APPEARANCE White Frost, nearest NCS colour sample S 0500-N, 85% light reflectance (of which more than 99% is diffuse reflection). Retro reflection coefficient 63 mcd*m⁻²lx⁻¹. Gloss < 1.

INFLUENCE OF CLIMATE The tiles withstand a permanent ambient RH up to 95% at 30°C without sagging, warping or delaminating (ISO 4611).

INDOOR CLIMATE Certified by the Indoor Climate Labelling, recommended by the Swedish Asthma and Allergy Association, and can be used in rooms classified as ISO class 6 according to ISO 14644-1.

ENVIRONMENTAL INFLUENCE Granted the Nordic Swan eco-label. Fully recyclable.

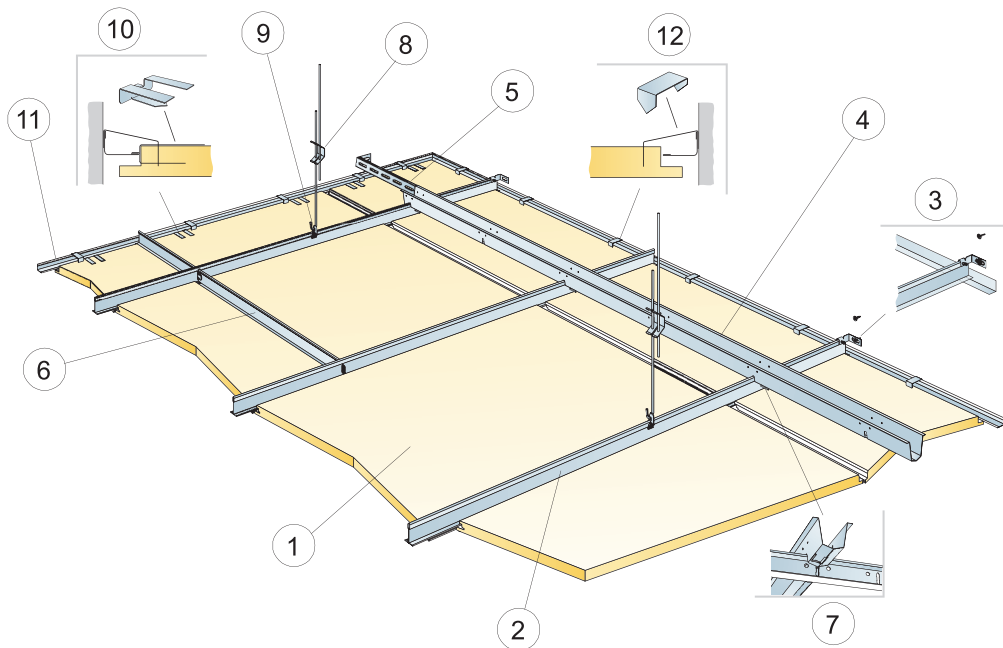
FIRE SAFETY The glass wool core of the tiles is tested and classified as non-combustible according to EN ISO 1182. The systems are classified as fire protective covering according to NT FIRE 003. See Functional demands, Fire safety.

Reaction-to-fire classification

Country	Standard	Class
Europe	EN 13501-1	A2-s1,d0

MECHANICAL PROPERTIES For information regarding live load and requirements for load bearing capacity, see installation diagrams. Conditions: See Functional demands, Mechanical properties.

INSTALLATION Installed according to system range which includes information regarding minimum overall depth of system.



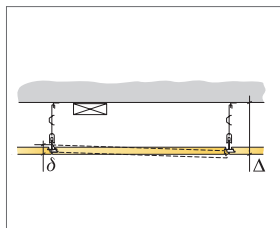
© Ecophon Group

QUANTITY SPECIFICATION (EXCL. WASTAGE)

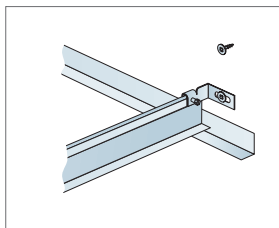
	Size, mm					
	600x600	1200x600	1600x600	1800x600	2000x600	2400x600
1 Focus Ds	2,8/m ²	1,4/m ²	1,05/m ²	0,95/m ²	0,85/m ²	0,7/m ²
2 Connect T24 Main runner HD, installed at 600 mm centres	1,7m/m ²	1,7m/m ²	1,7m/m ²	1,7m/m ²	1,7m/m ²	1,7m/m ²
3 Connect Wall bracket for T-profiles	1 for every row of suspended Main runner HD	1 for every row of suspended Main runner HD	1 for every row of suspended Main runner HD	1 for every row of suspended Main runner HD	1 for every row of suspended Main runner HD	1 for every row of suspended Main runner HD
4 Connect Space bar, installed at 1500 mm centres (max. distance from wall 300 mm)	0,7m/m ²	0,7m/m ²	0,7m/m ²	0,7m/m ²	0,7m/m ²	0,7m/m ²
5 Connect Wall bracket, L=700 mm, for Space bar	1 for every row of Space bar					
6 Connect T24 Cross tee, L=600 mm	2per row of Main runner					
7 Connect Space bar winch, installed one per joint Main runner/ Space bar	1,4/m ²	1,4/m ²	1,4/m ²	1,4/m ²	1,4/m ²	1,4/m ²
8 Connect T24 Cross tee, L=1200 mm, installed at 600 mm centres	0,7/m ²	0,7/m ²	0,7/m ²	0,7/m ²	0,7/m ²	0,7/m ²
9 Connect Hanger clip	0,7/m ²	0,7/m ²	0,7/m ²	0,7/m ²	0,7/m ²	0,7/m ²
10 Connect Support clip DG20	1pc/300-400 mm on every cut perimeter tile with only 1 supporting edge					
11 Connect Angle trim 15/22, fixed at 300 mm centres	as required	as required	as required	as required	as required	as required
12 Connect Perimeter tile clip	1 /300-400mm on any cut edge					

Δ Min. overall depth of system: 105 mm

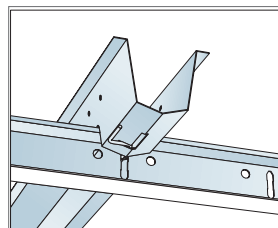
δ Min. demounting depth: 30 mm



See Quantity specification



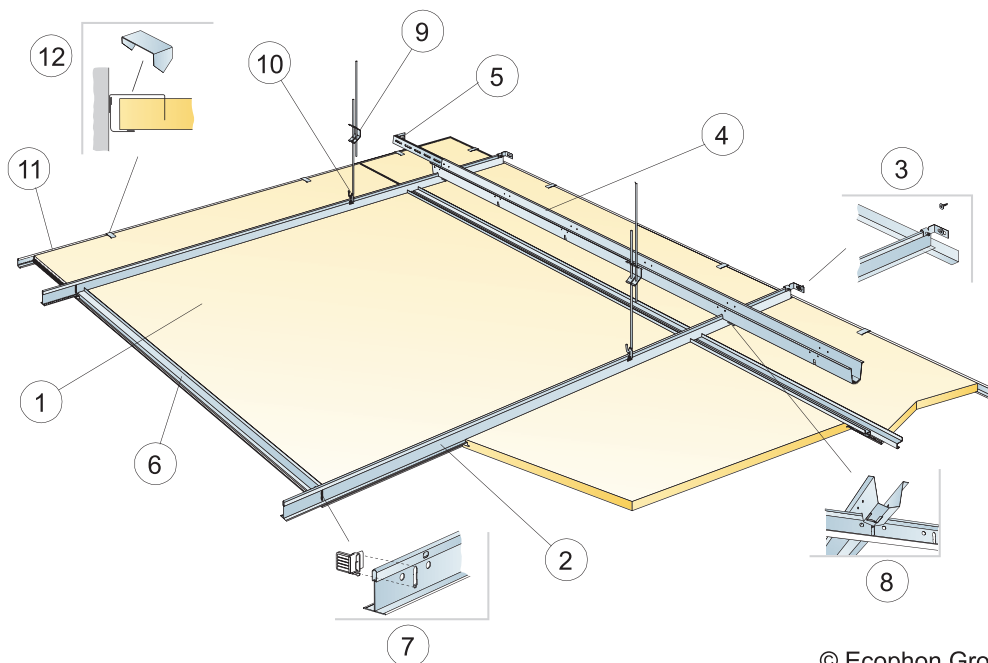
Secured Main runner at wall with Connect Wall bracket



Connection between profiles with space bar winch

Size, mm	Max live load [N]	Min load bearing capacity [N]
600x600	50	160
1200x600	50	160
1600x600	50	160
1800x600	50	160
2000x600	50	160
2400x600	50	160

Live load/load bearing capacity



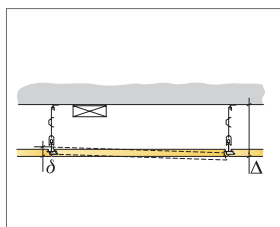
© Ecophon Group

QUANTITY SPECIFICATION (EXCL. WASTAGE)

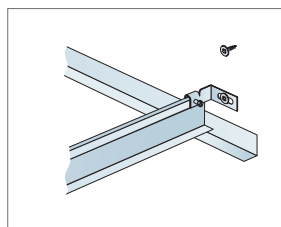
	Size, mm
	1200x1200
1 Focus Ds	0,7/m ²
2 Connect T24 Main runner HD, installed at 1200 mm centres	0,9m/m ²
3 Connect Wall bracket for T-profiles	1 for every row of suspended Main runner HD
4 Connect Space bar, installed at 1500 mm centres (max. distance from wall 300 mm)	0,7m/m ²
5 Connect Wall bracket, L=700 mm, for Space bar	1 for every row of Space bar
6 Connect Edge stiffener	1,4/m ²
7 Connect Stop clip	2 for every row of Main runner
8 Connect Space bar winch, installed one per joint Main runner/Space bar	0,55/m ²
9 Connect T24 Cross tee, L=1200 mm, installed at 600 mm centres	0,7/m ²
10 Connect Hanger clip	0,7/m ²
11 Connect Angle trim 15/22, fixed at 300 mm centres	as required
12 Connect Perimeter tile clip	1 /300-400mm on any cut edge

Δ Min. overall depth of system: 105 mm

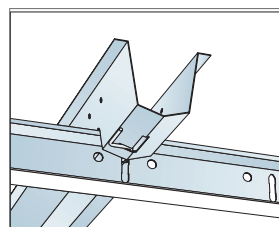
δ Min. demounting depth: 50 mm



See Quantity specification



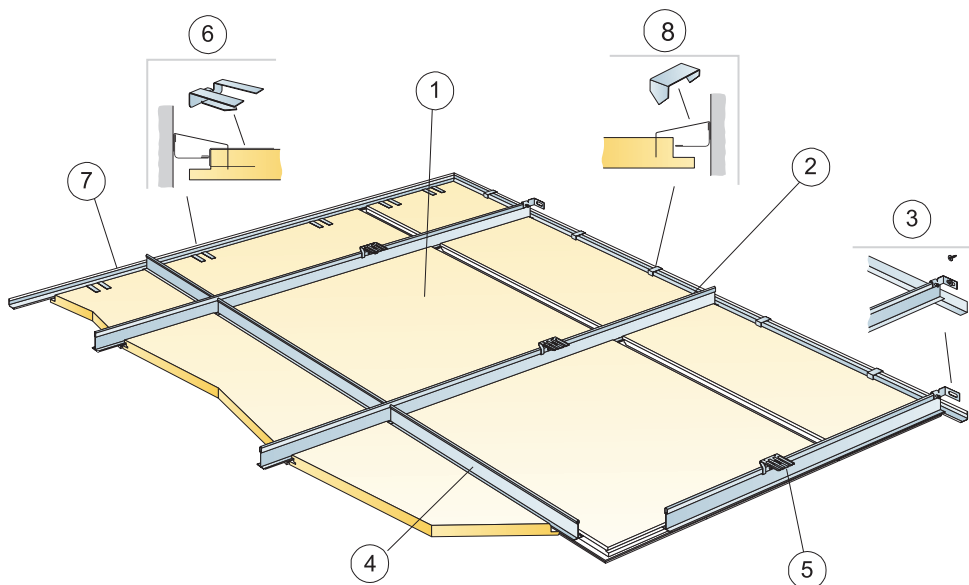
Secured Main runner at wall with Connect Wall bracket



Connection between profiles with space bar winch

Size, mm	Max live load [N]	Min load bearing capacity [N]
1200x1200	50	160

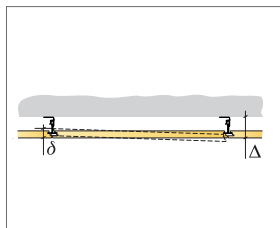
Live load/load bearing capacity



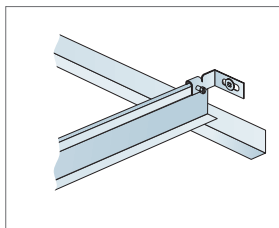
© Ecophon Group

QUANTITY SPECIFICATION (EXCL. WASTAGE)

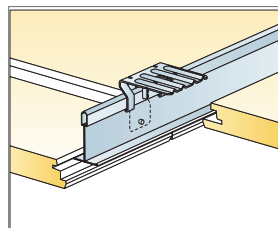
	Size, mm					
	600x600	1200x600	1600x600	1800x600	2000x600	2400x600
1 Focus Ds	2,8/m ²	1,4/m ²	1,05/m ²	0,95/m ²	0,85/m ²	0,7/m ²
2 Connect T24 Main runner HD, installed at 600 mm centres	1,7m/m ²	1,7m/m ²	1,7m/m ²	1,7m/m ²	1,7m/m ²	1,7m/m ²
3 Connect Wall bracket for T-profiles	1 for every row of suspended Main runner HD	1 for every row of suspended Main runner HD	1 for every row of suspended Main runner HD	1 for every row of suspended Main runner HD	1 for every row of suspended Main runner HD	1 for every row of suspended Main runner HD
4 null	2/row of Main runner					
5 null	1,1/m ²	1,1/m ²	1,1/m ²	1,1/m ²	1,1/m ²	1,1/m ²
6 Connect Support clip DG20 0547	1 /300-400mm on any cut edge					
7 Connect Angle trim 15/22, fixed at 300 mm centres	as required	as required	as required	as required	as required	as required
8 Connect Perimeter tile clip can be used if sufficient space is available.	1pc/300-400 mm on every cut perimeter tile with only 1 supporting edge					
Δ Min. overall depth of system: 65 mm	-	-	-	-	-	-
δ Min. demounting depth: 30 mm	-	-	-	-	-	-



See Quantity specification



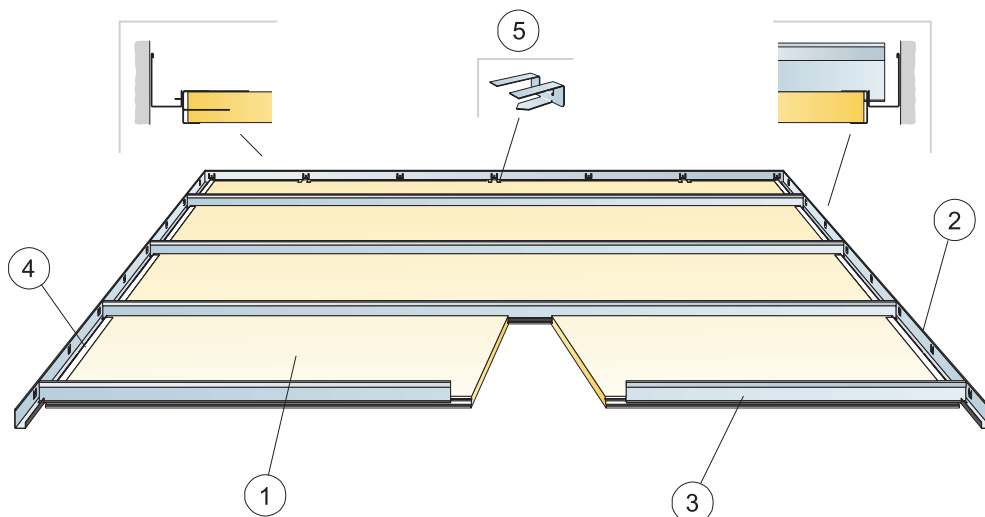
Secured Main runner at wall with Connect Wall bracket



Suspension with direct fix bracket

Size, mm	Max live load [N]	Min load bearing capacity [N]
600x600	50	160
1200x600	50	160
1600x600	50	160
1800x600	50	160
2000x600	50	160
2400x600	50	160

Live load/load bearing capacity



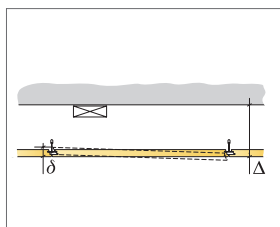
© Ecophon Group

QUANTITY SPECIFICATION (EXCL. WASTAGE)

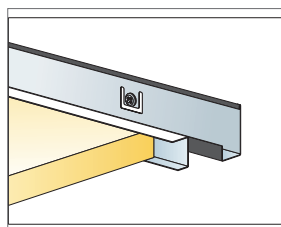
		Size, mm			
		1600x600	1800x600	2000x600	2400x600
1	Focus Ds XL	1,05/m ²	0,95/m ²	0,85/m ²	0,7/m ²
2	Connect Modular Wall trim	as required	as required	as required	as required
3	Connect T24 Corridor profile	1,05/m ²	0,95/m ²	0,85/m ²	0,7/m ²
4	Connect Cover trim Ds	2/tile plus end tiles			
5	Connect Support clip Dg 20 0547	1 pc/300-400 mm on every cut perimeter tile with only 1 supporting edge			

Δ Min. overall depth of system: 55 mm

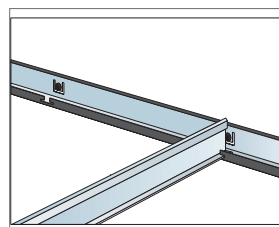
δ Min. demounting depth: 30 mm



See Quantity specification



Tile and Connect Cover trim Ds



Corridor profile positioned by Modular wall trim

Size, mm	Max live load [N]	Min load bearing capacity [N]
1600x600	40	-
1800x600	20	-
2000x600	10	-
2400x600	0	-

Live load/load bearing capacity