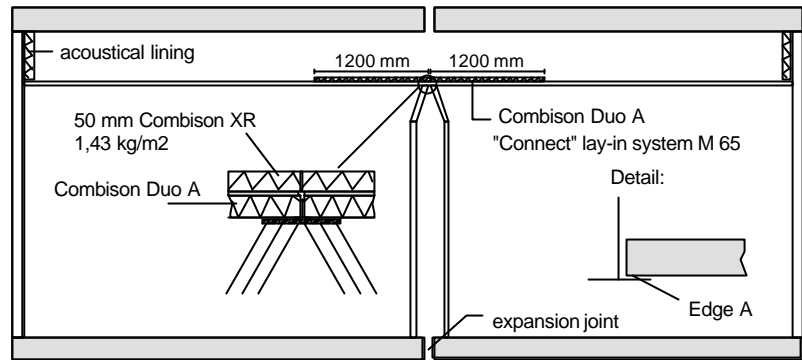
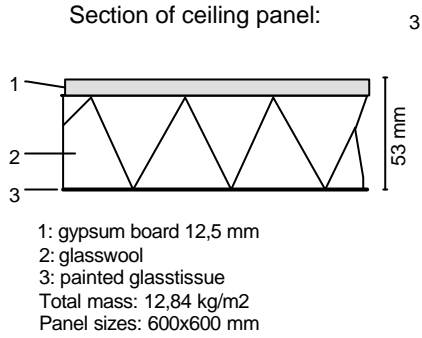


THE ROOM-TO-ROOM AIRBORNE SOUND INSULATION ACCORDING TO ISO 140-9:1985

principal: Ecophon AB

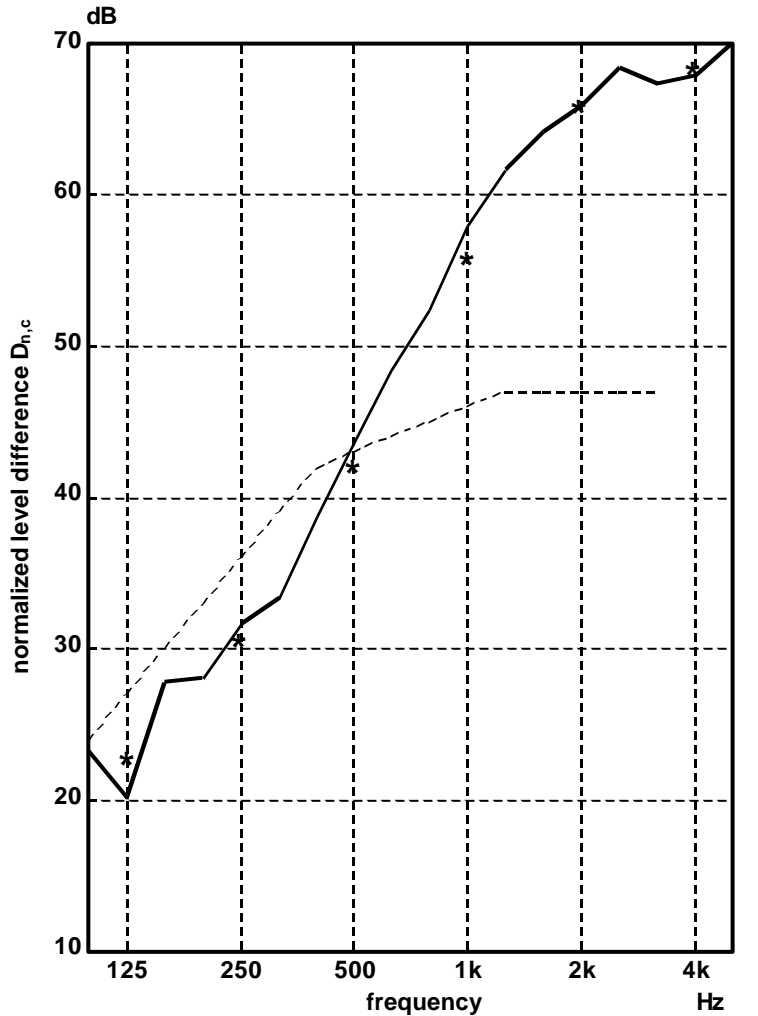


construction tested: #3: Ceiling of Combison Duo A with additional absorption over partition



volume sending room: 59 m³
 volume receiving room: 54 m³
 reference area: 10 m²
 surf. mass ceiling: 12.8 kg/m²
 measured at: laboratory conditions
 signal: broad-band noise
 bandwidth: 1/3 octave

ISO 717-1:1996
 $D_{n,c,w}(C;C_{tr}) = 43(-2;-7) \text{ dB}$



* 1/1 oct.
 — 1/3 oct.
 - - - - - ref. curve (ISO 717)

publication is permitted for the entire page only

Mook, 18-09-2001