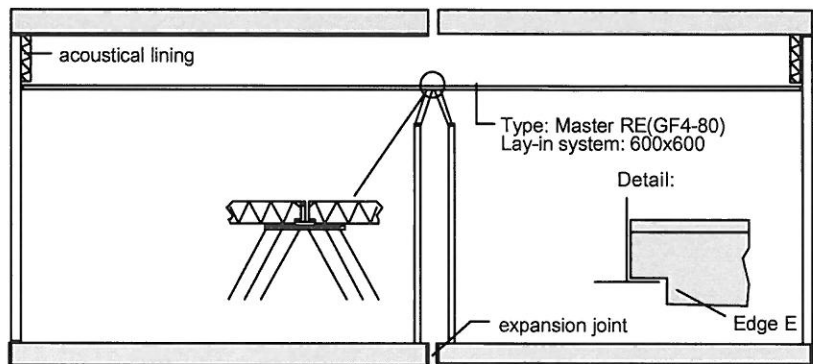
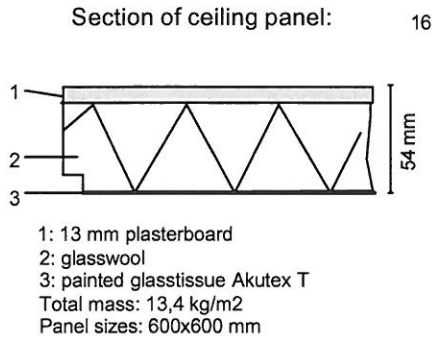


THE ROOM-TO-ROOM AIRBORNE SOUND INSULATION ACCORDING TO ISO 140-9:1985
principal: Ecophon (S)

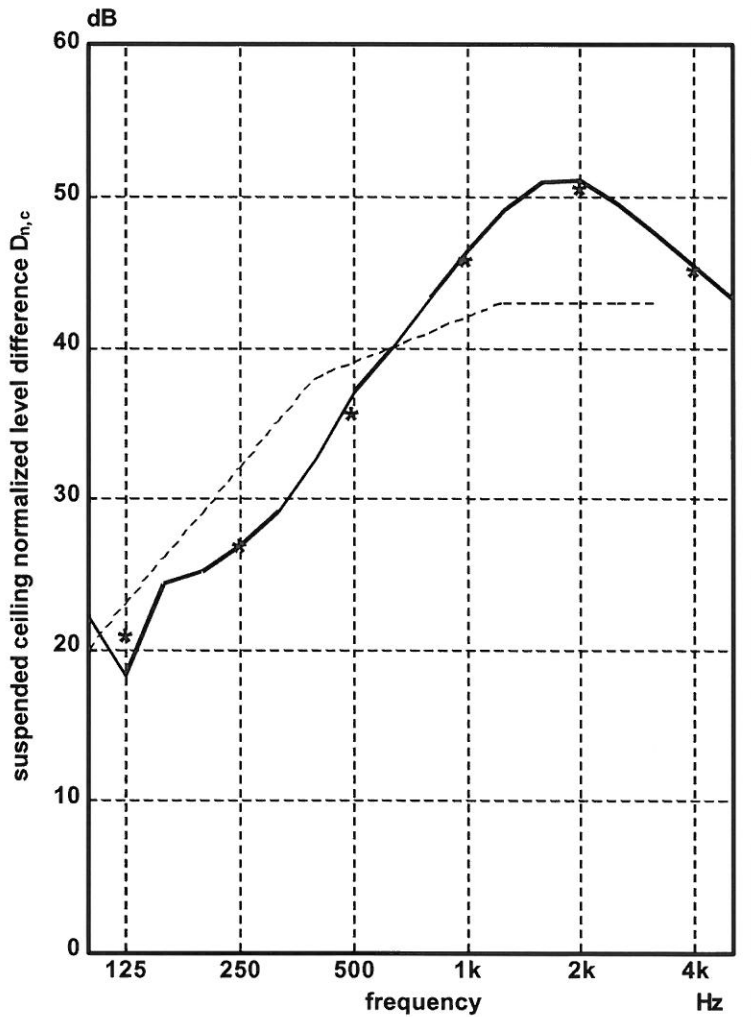


construction tested: #16 Master RE (Gf4-80) 600 x 600 x 54



volume sending room: 59 m³
volume receiving room: 54 m³
reference area: 10 m²
surf. mass ceiling: 13,4 kg/m²
measured at: laboratory conditions
signal: broad-band noise
bandwidth: 1/3 octave

ISO 717-1:1996
 $D_{n,c,w}(C;C_{tr}) = 39(-2;-6) \text{ dB}$



	125	250	500	1k	2k	4k
1/3 oct.	22.1	25.1	32.7	43.3	50.9	47.5
	18.3	26.8	37.0	46.4	51.0	45.3 dB
	24.3	29.1	40.0	49.1	49.4	43.2
1/1 oct.	20.8	26.7	35.5	45.6	50.4	45.0 dB

publication is permitted for the entire page only

Mook, 05-09-2002