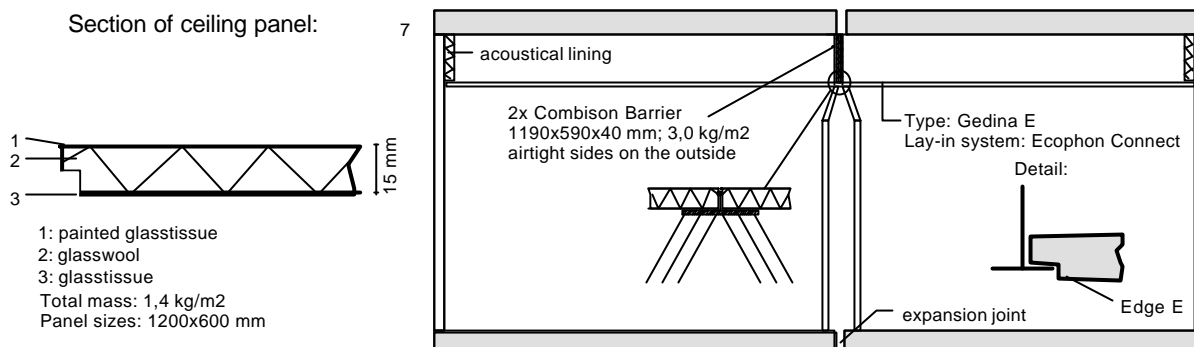


THE ROOM-TO-ROOM AIRBORNE SOUND INSULATION ACCORDING TO ISO 140-9:1985

principal: Ecophon (S)



construction tested: #7: **Gedina E; 1200x600x15mm** with double "Combison Barrier", tight outside



volume sending room: 59 m³

volume receiving room: 54 m³

reference area: 10 m²

surf. mass ceiling: 1.4 kg/m²

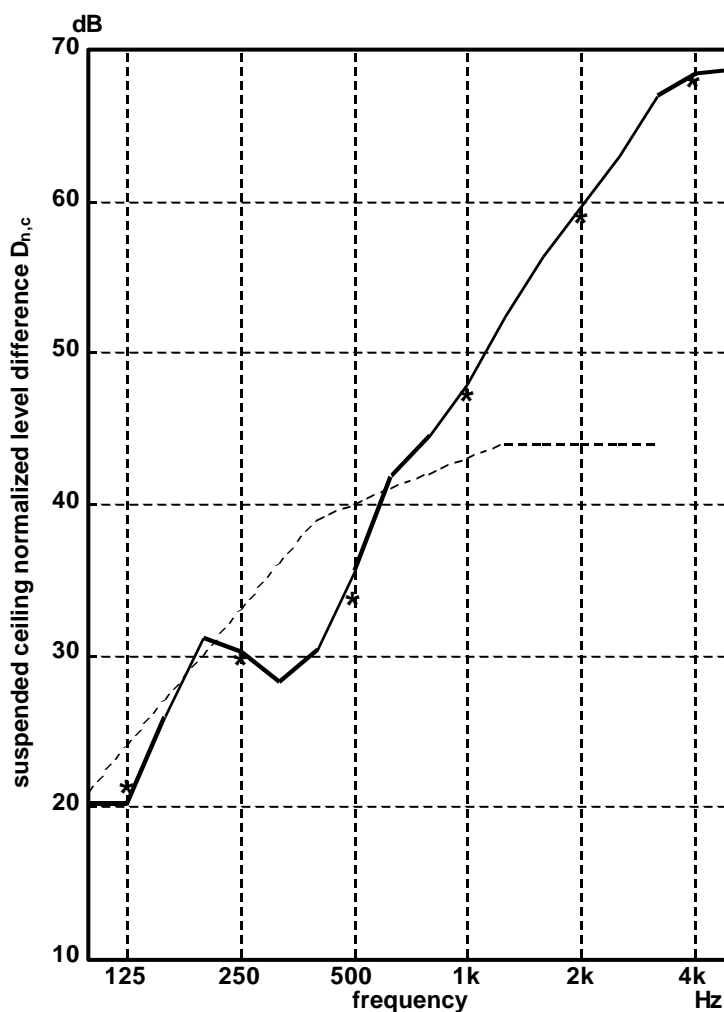
measured at: laboratory conditions

signal: broad-band noise

bandwidth: 1/3 octave

ISO 717-1:1996

$$D_{n,c,w}(C;C_{tr}) = 40(-2;-6) \text{ dB}$$



	125	250	500	1k	2k	4k
* 1/1 oct.	20.1	31.2	30.3	44.5	56.4	67.0
— 1/3 oct.	20.1	30.2	35.6	47.9	59.7	68.5
----- ref. curve (ISO 717)	26.0	28.2	41.9	52.5	63.0	68.7
1/1 oct.	21.3	29.7	33.7	47.2	58.9	68.0 dB

publication is permitted for the entire page only

Mook, 29-04-2003