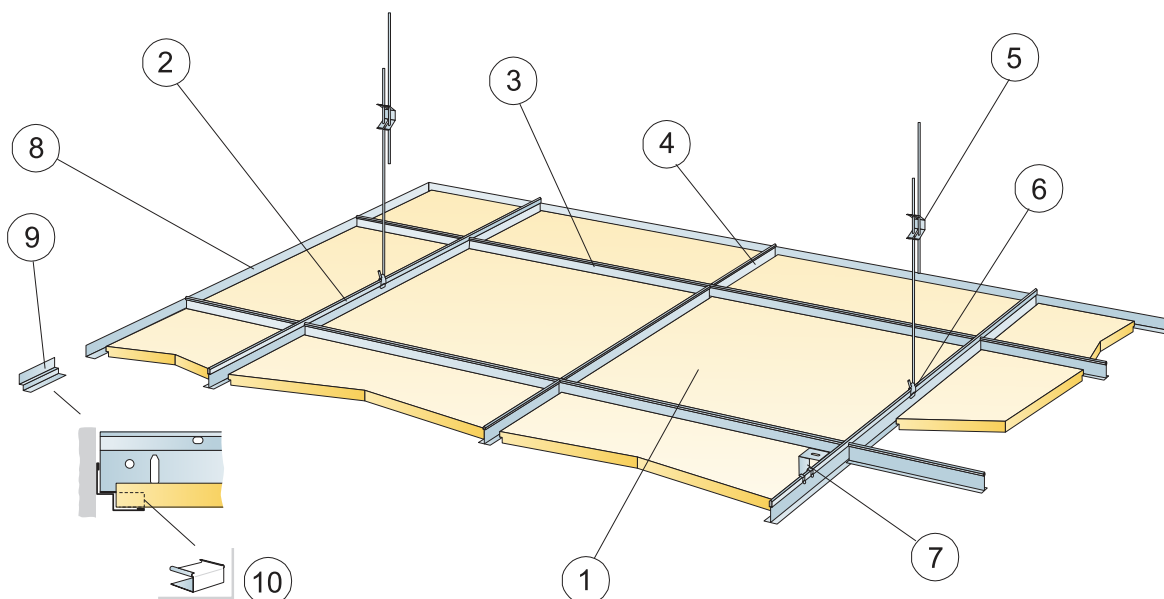
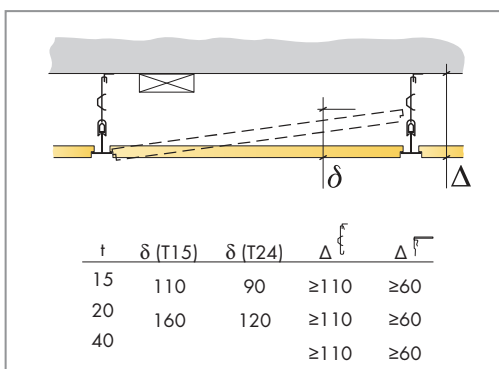


Edge E system

600x600, 1200x600,
625x625, 1250x625
(Not valid for Combison)



1. Ecophon edge E panel 600x600/1200x600
625x625/1250x625

2. Connect T24 or T15 Main runner

3. Connect T24 or T15 Cross tee,
L=1200/1250

4. Connect T24 or T15 Cross tee,
L=600/625

5. Connect Adjustable hanger

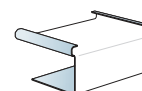
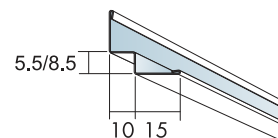
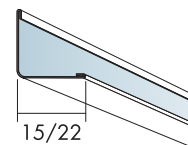
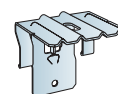
6. Connect Hanger clip

7. Connect Direct fixing bracket

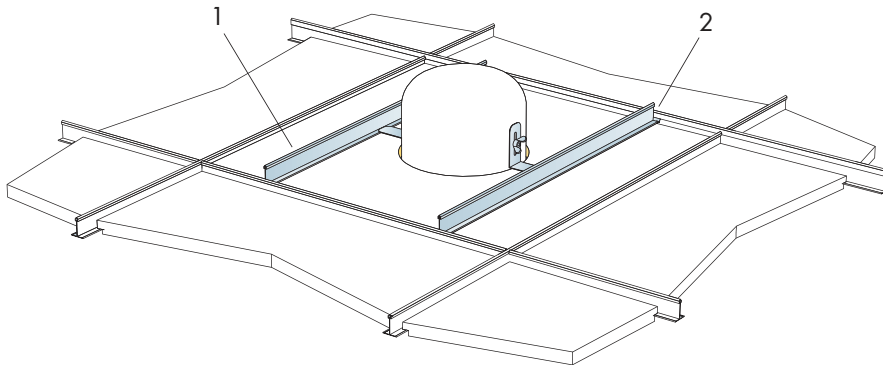
8. Connect Angle trim

9. Connect Shadow-line
trim

10. Connect E-plugg (T24)

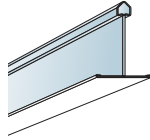


t=20



→ 18

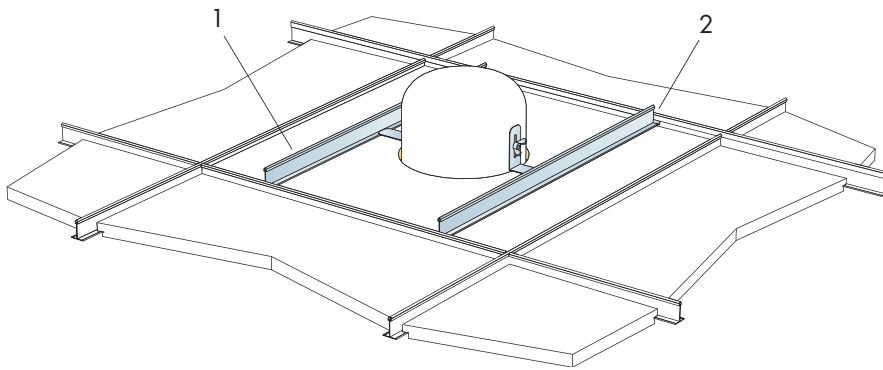
1. Connect Bridging profile



2. Connect Bridging clip 7/10

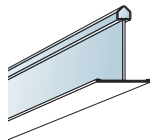


t=15



→ 19

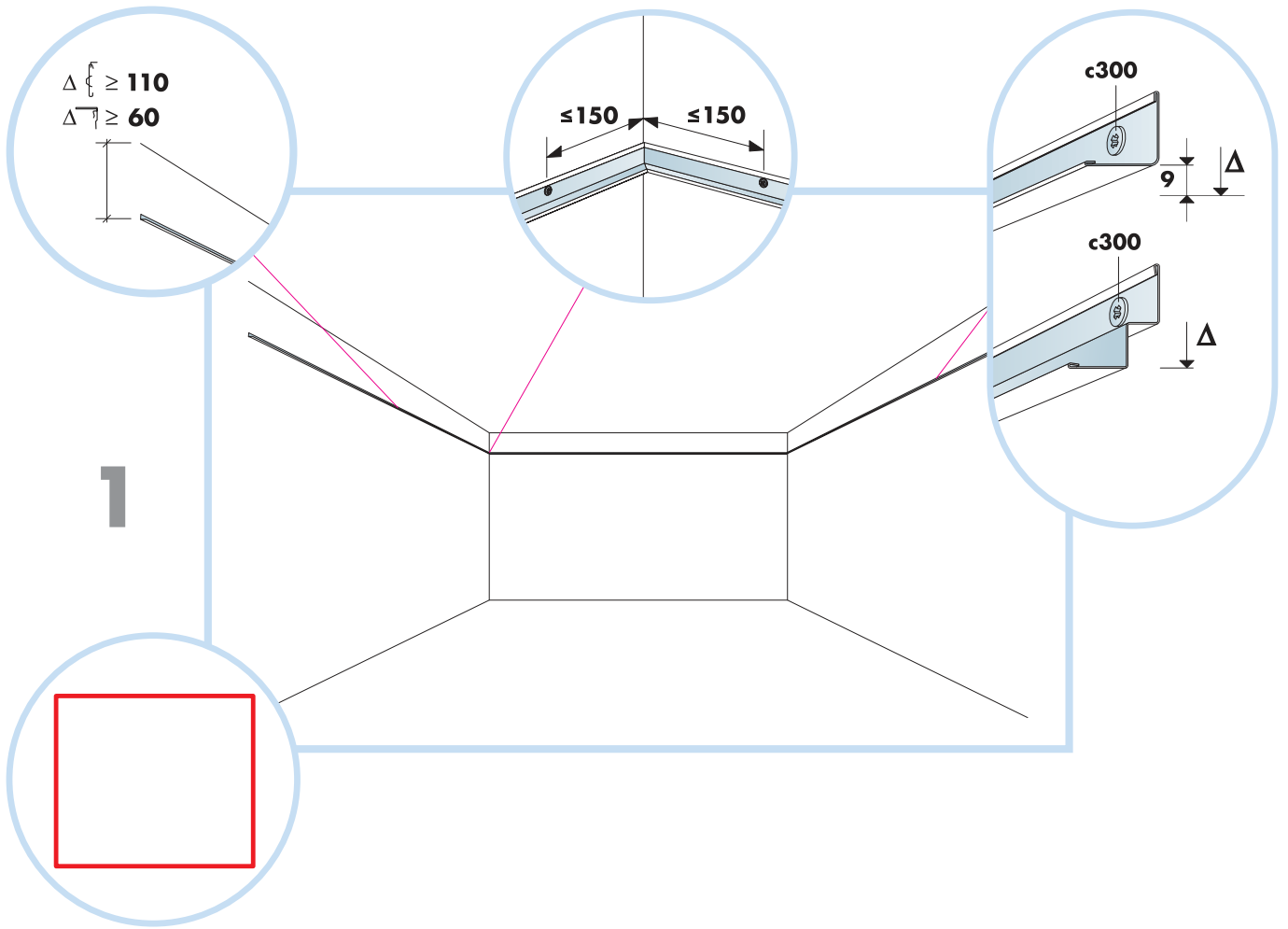
1. Connect Bridging profile



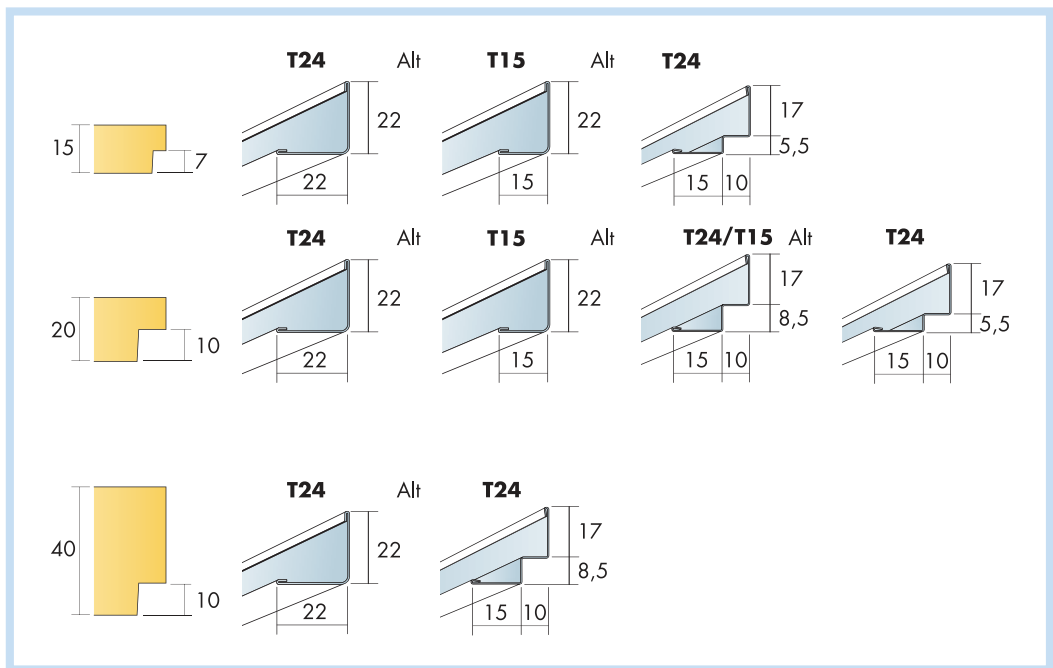
2. Connect Bridging clip 7/10



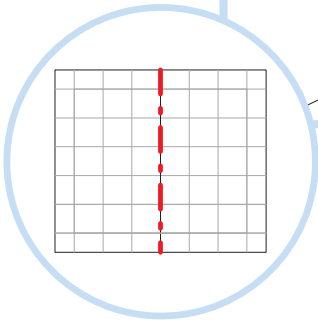
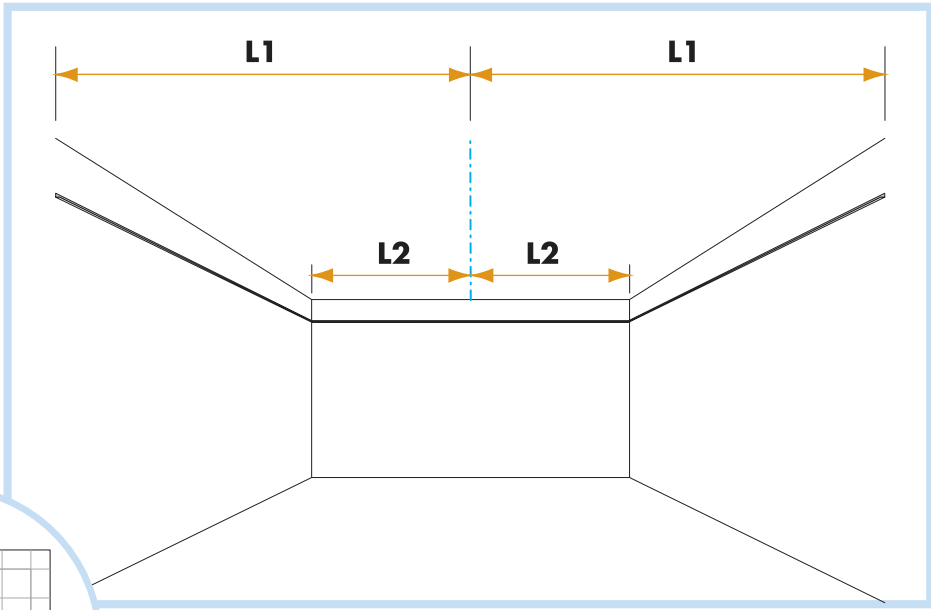
Ecophon
SAINT-GOBAIN



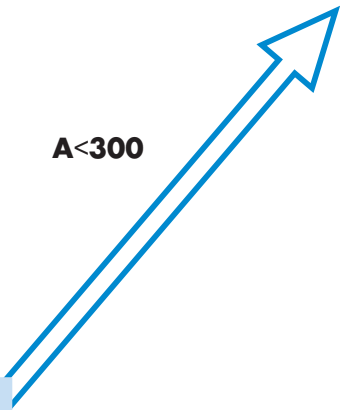
2



3

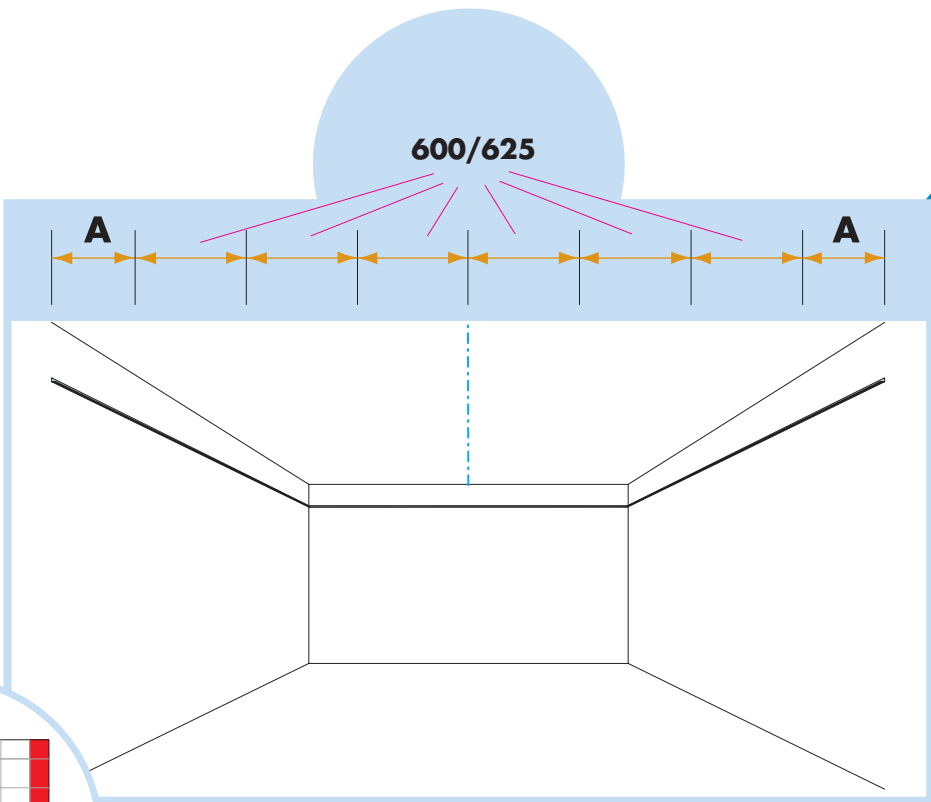


$A < 300$

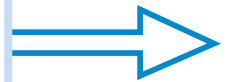


600/625

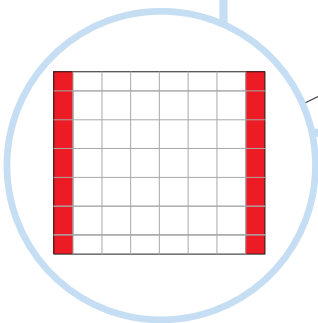
4

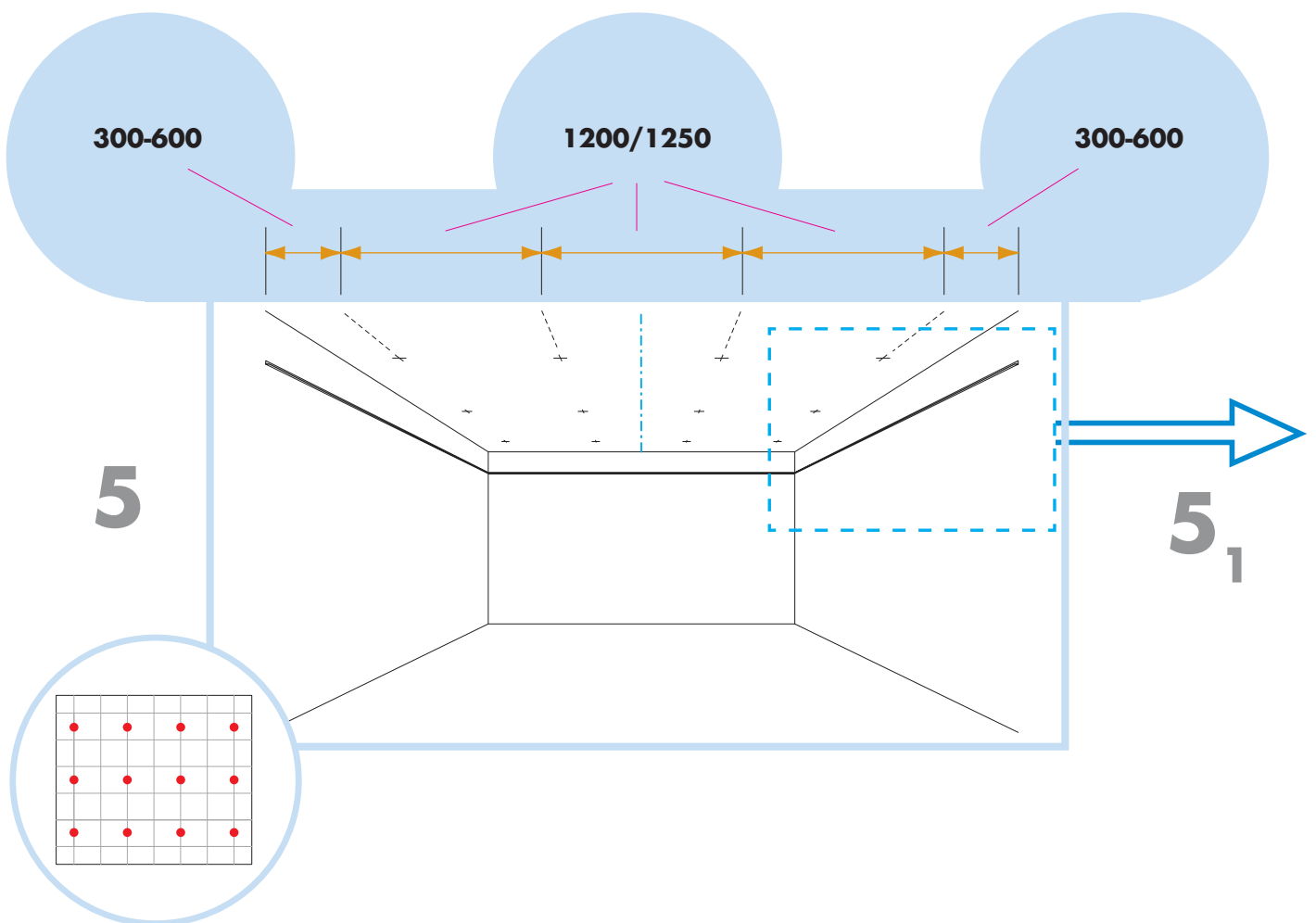
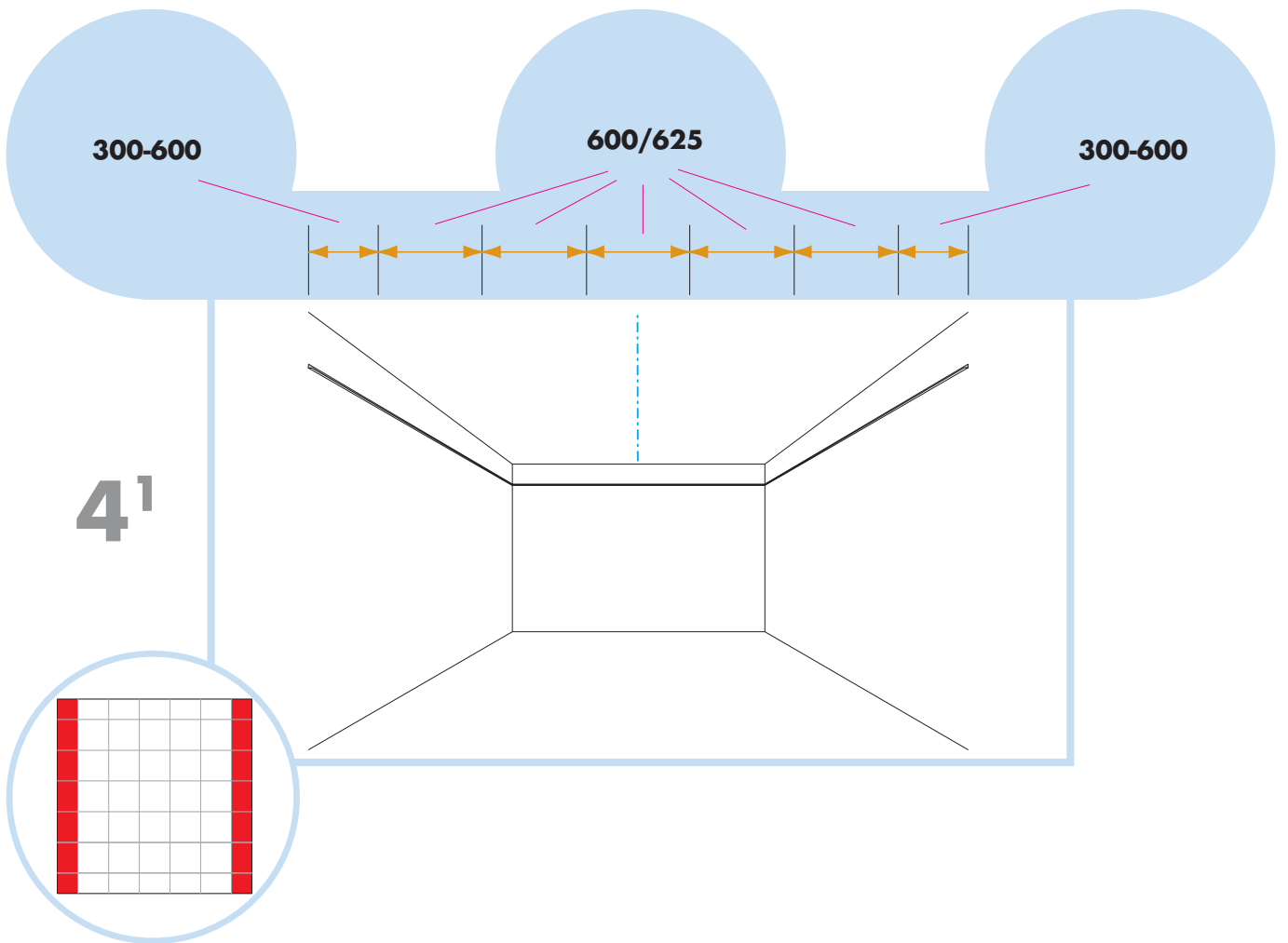


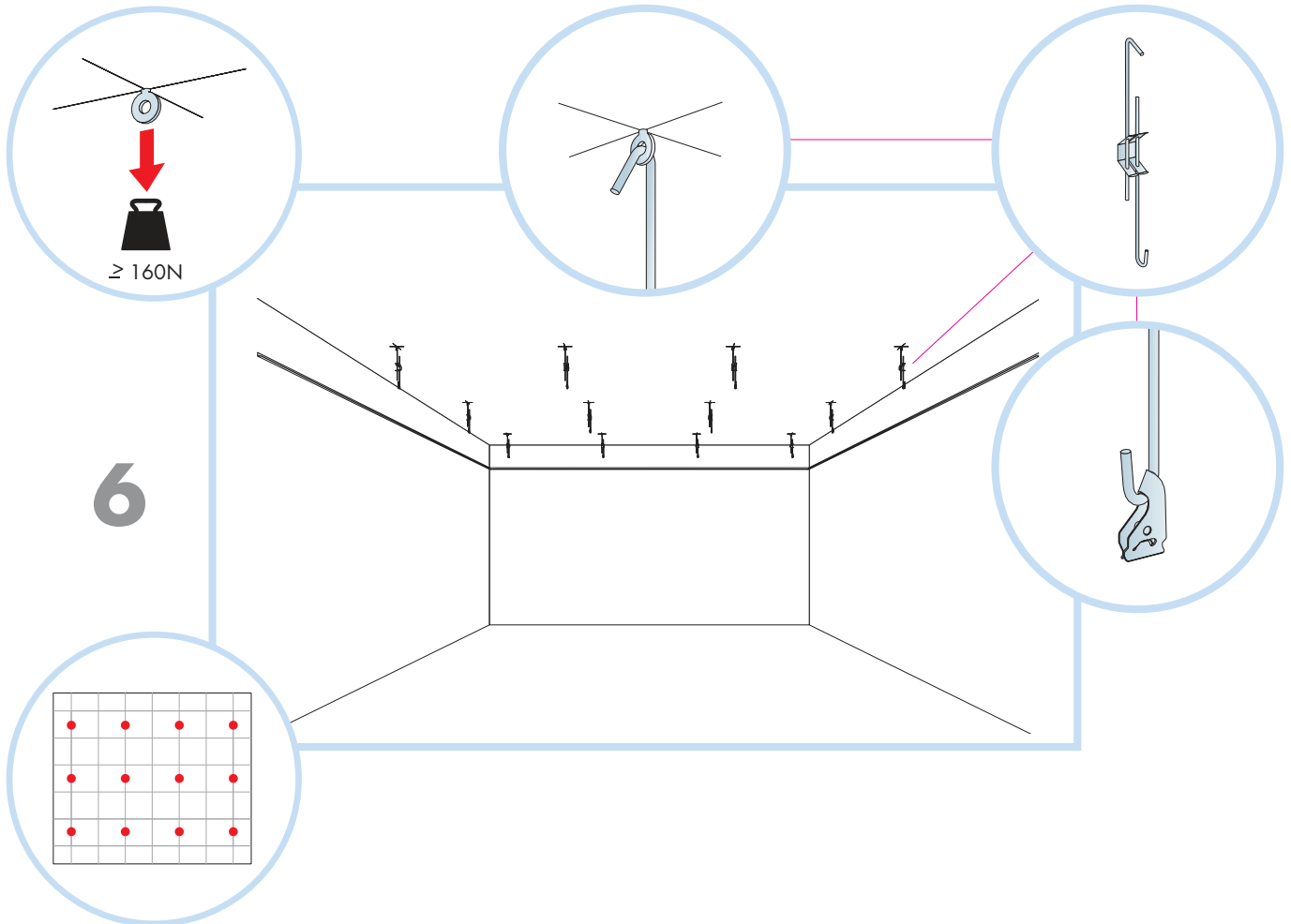
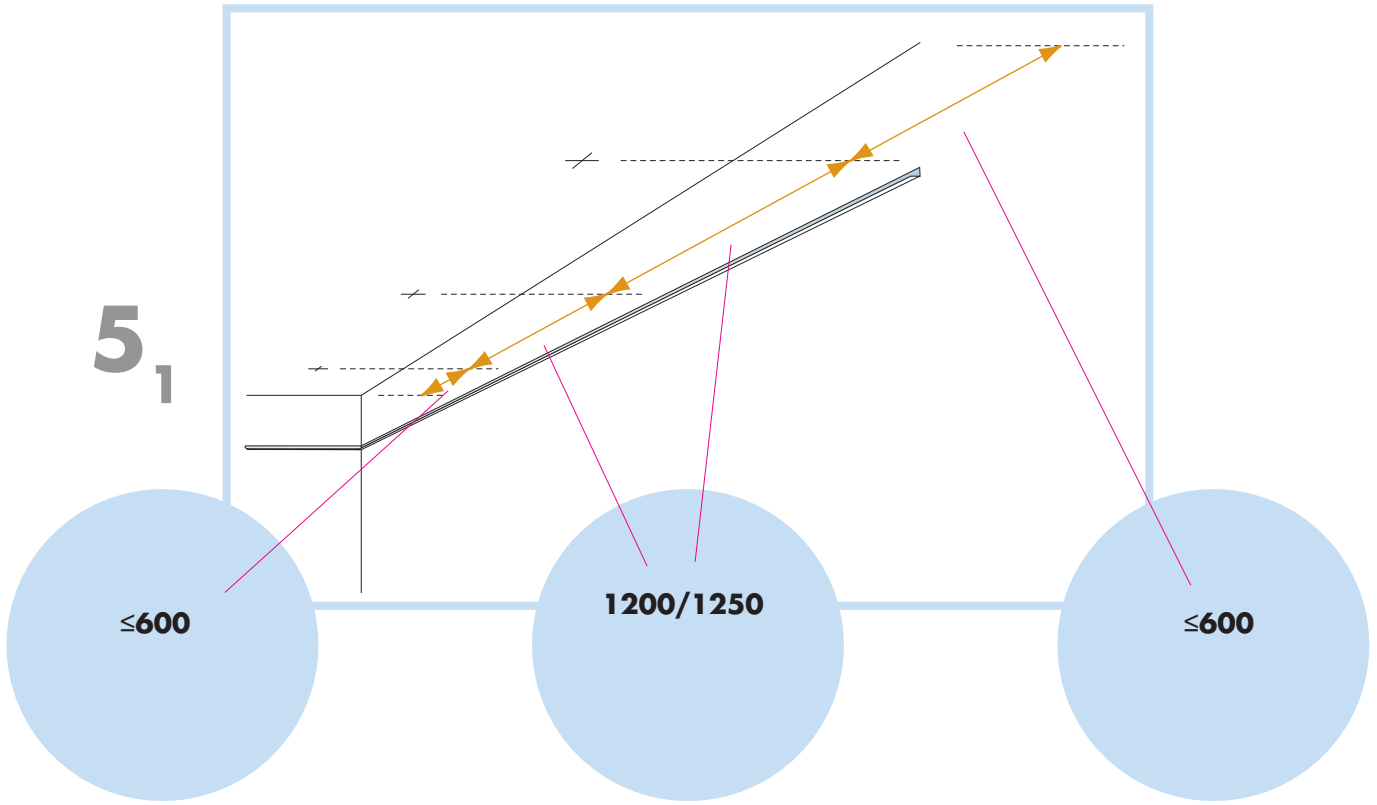
$A \geq 300$

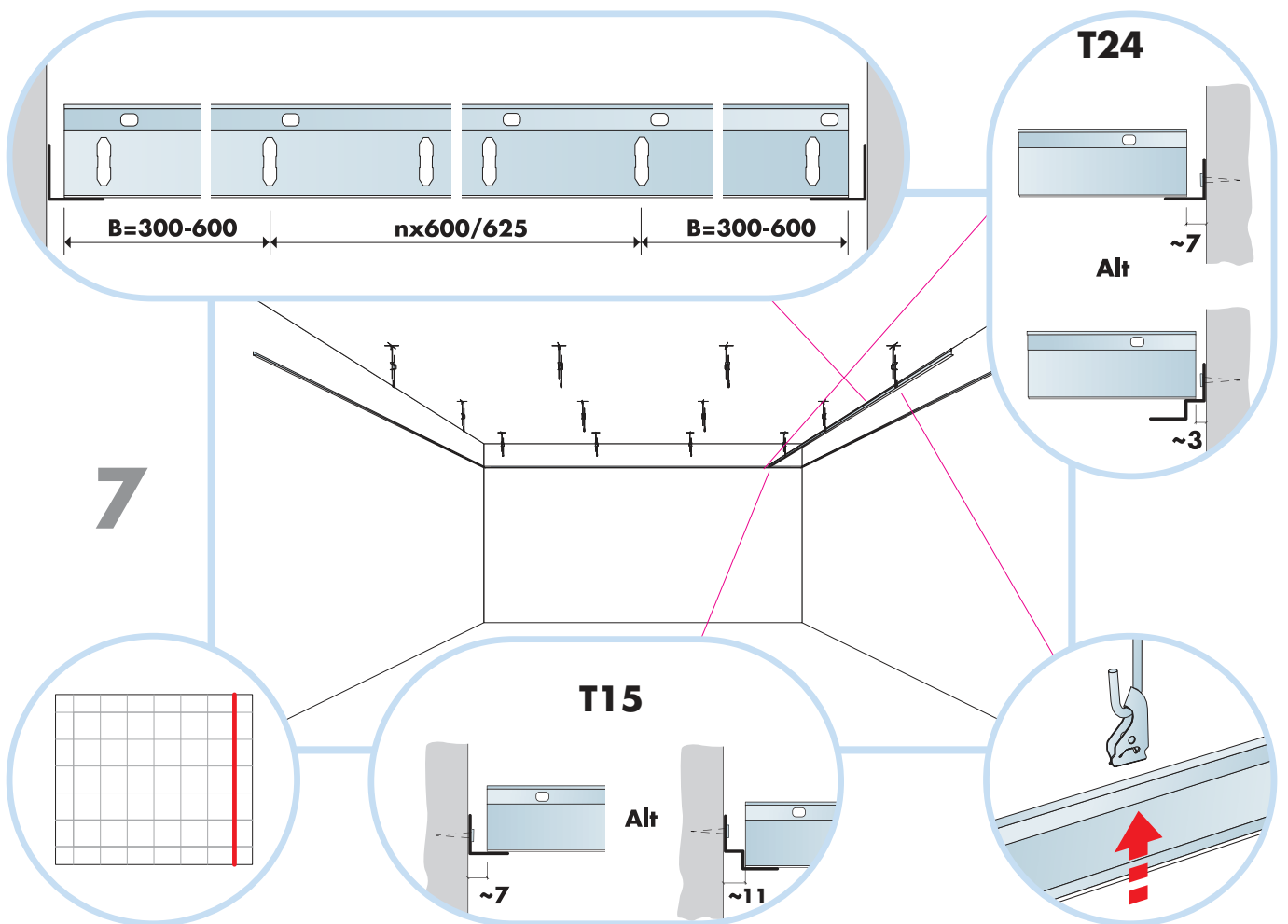
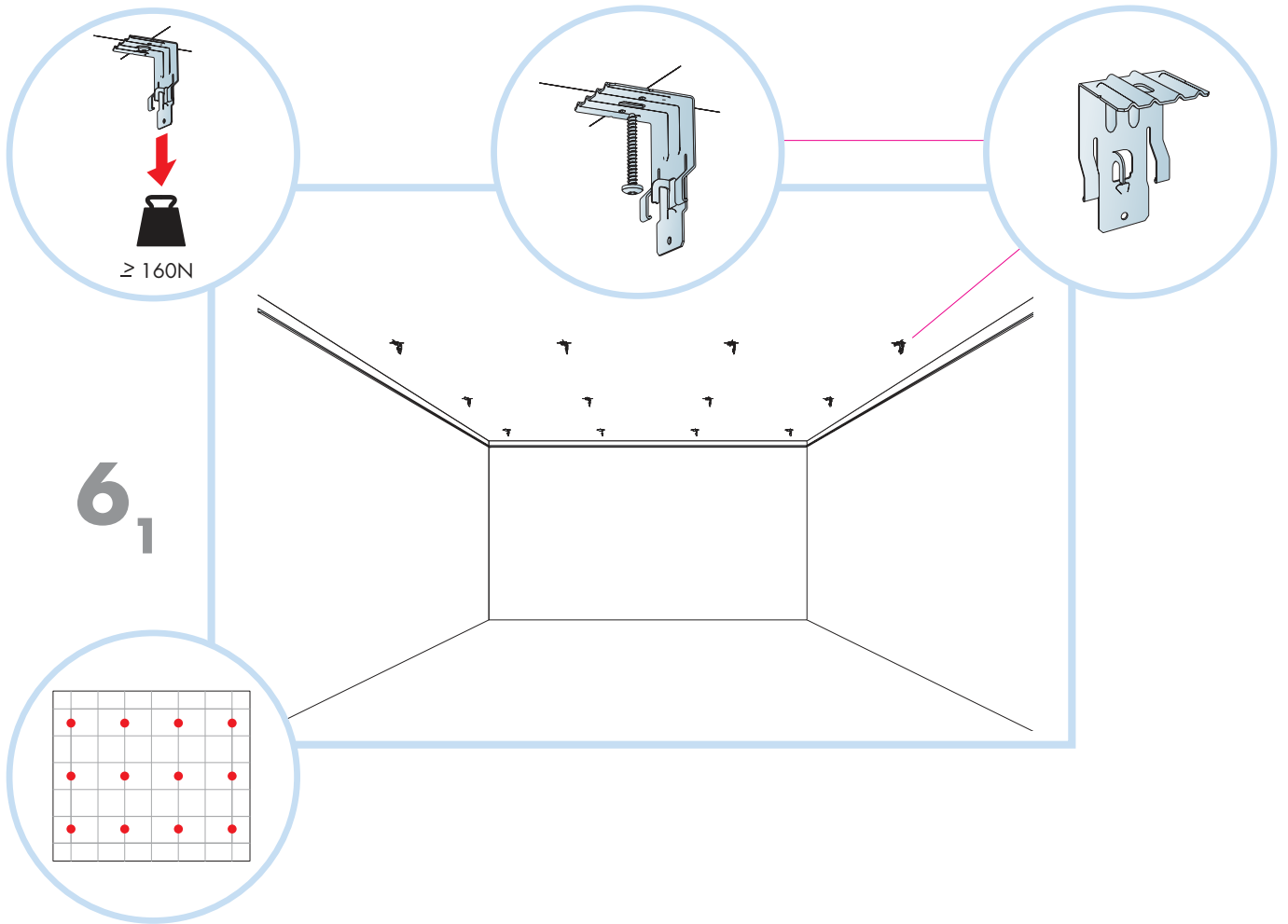


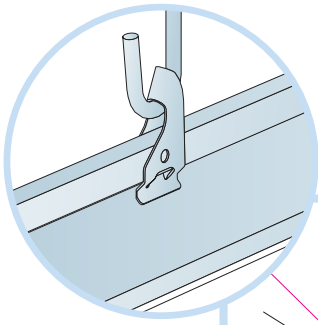
5



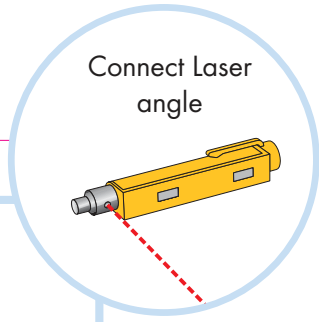
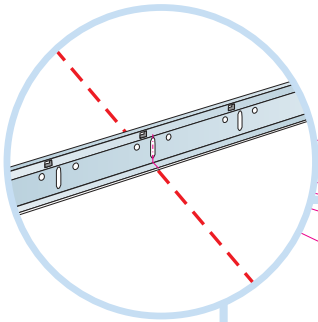
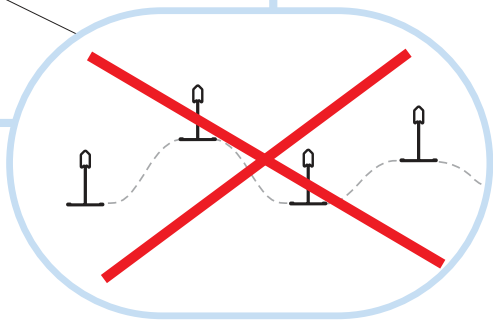
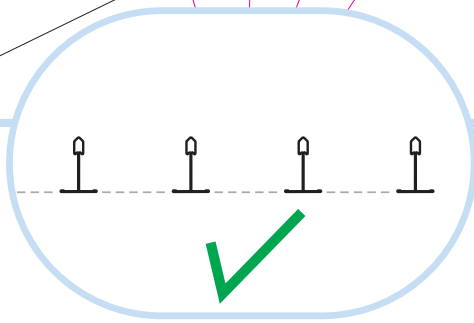
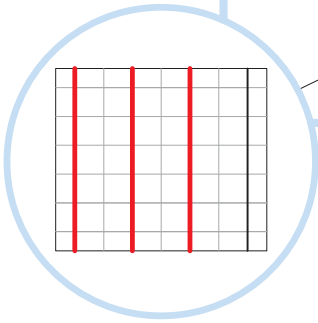
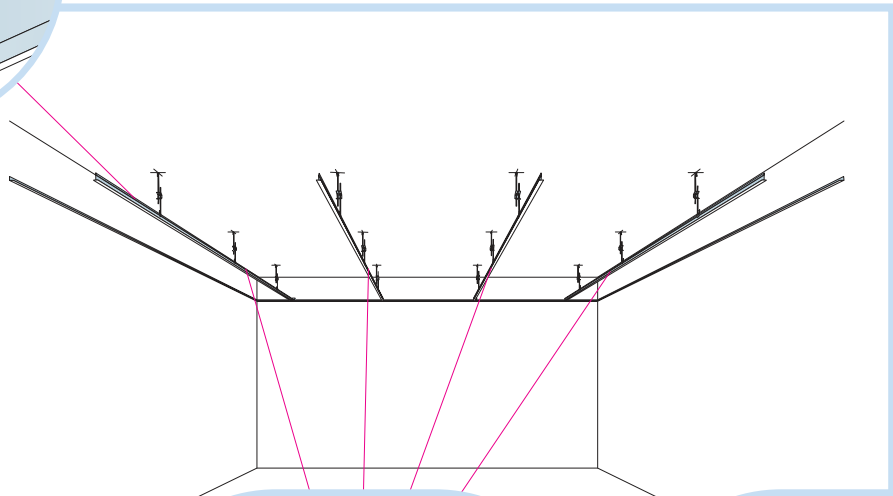




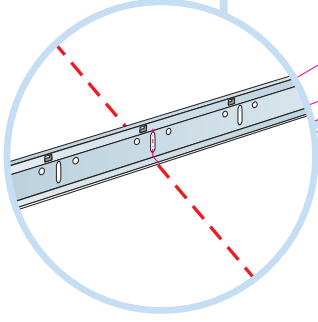
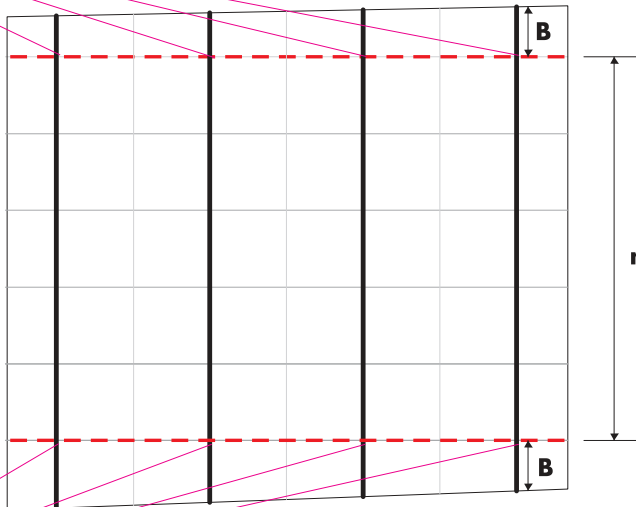


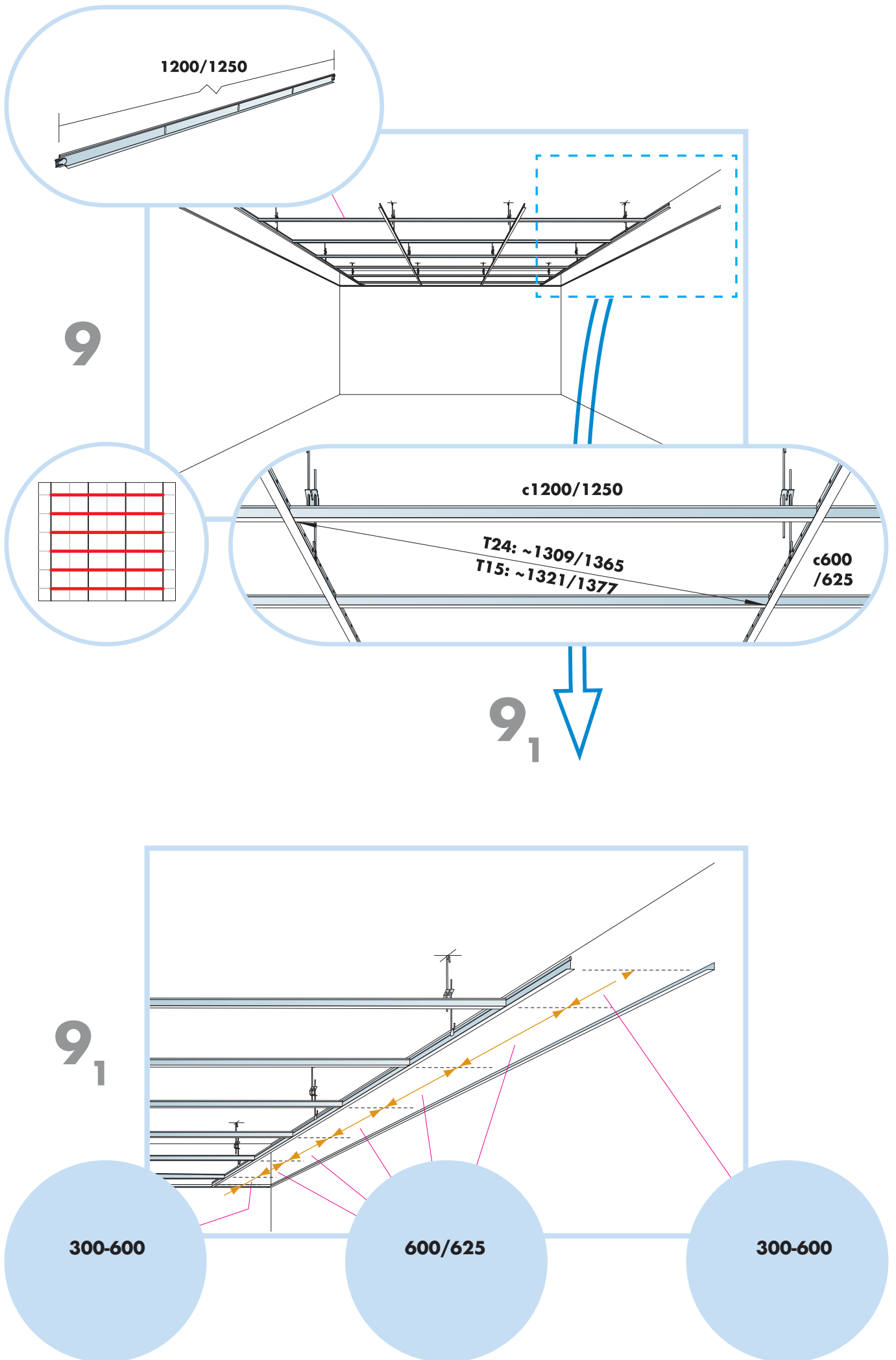


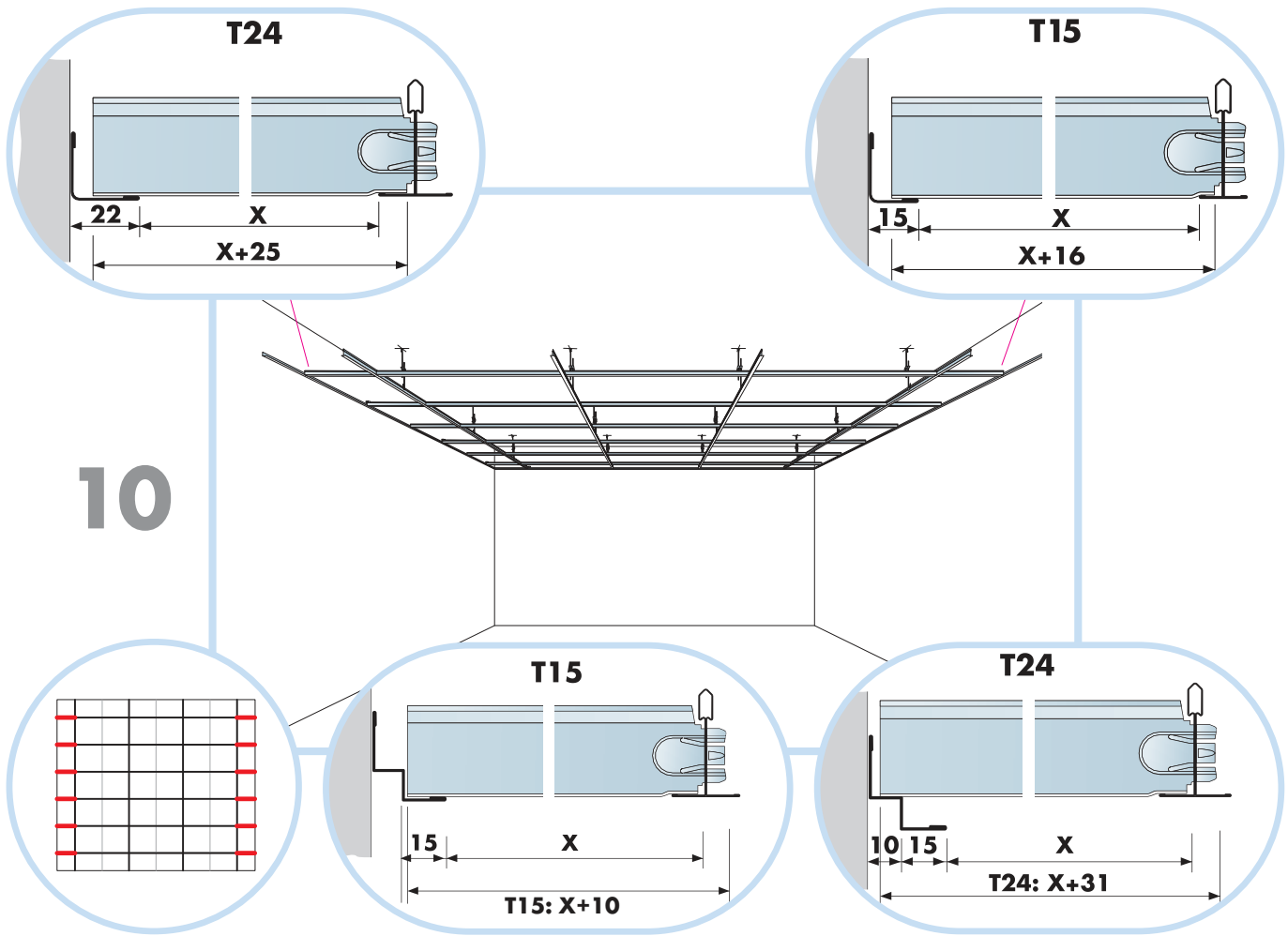
8



8₁

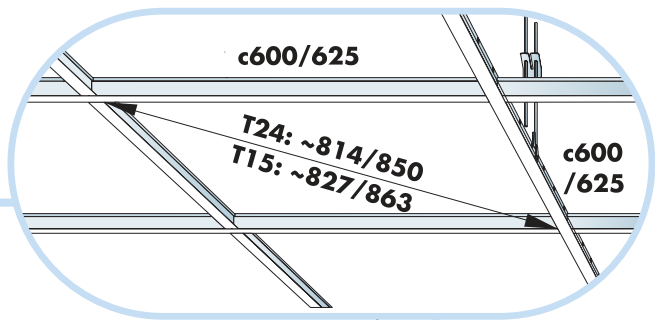
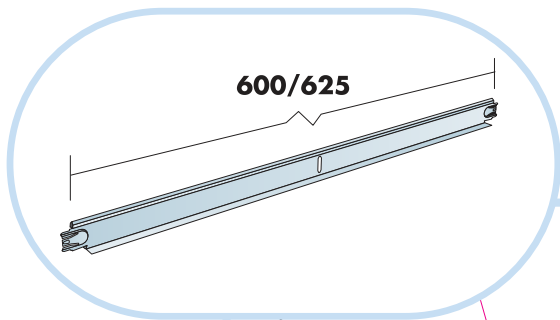




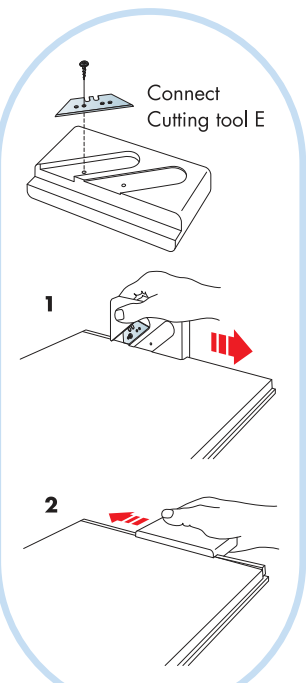
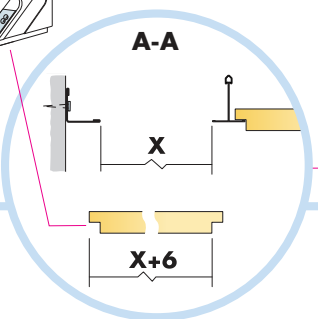
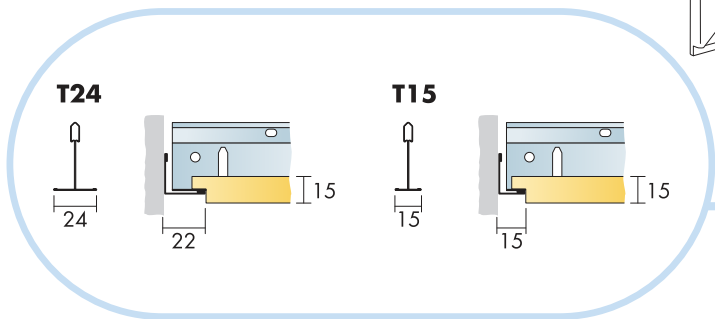
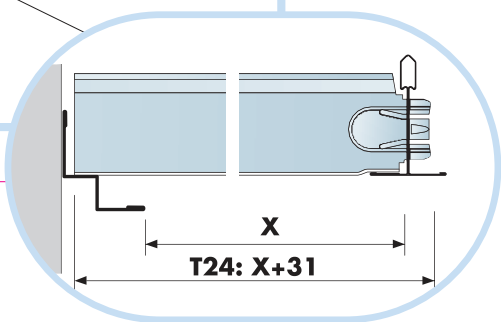
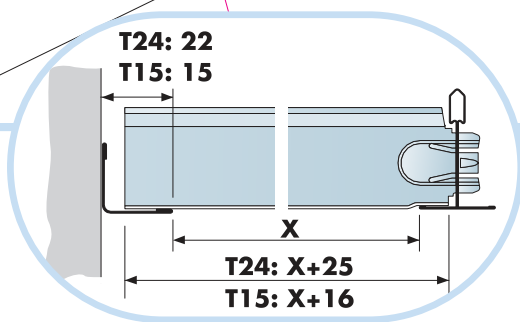
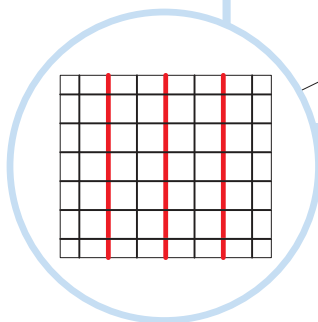
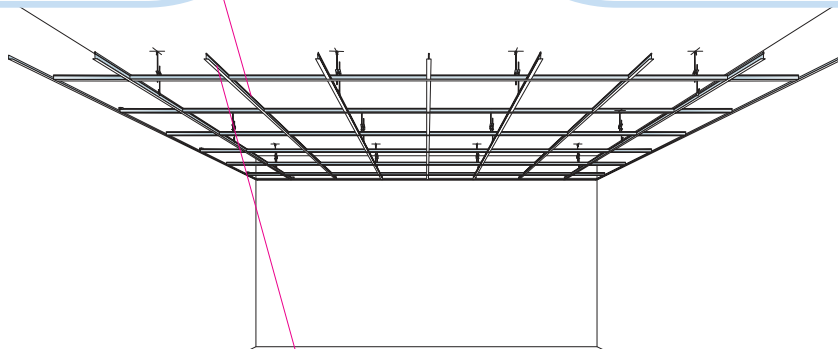


600x600/625x625 → 11

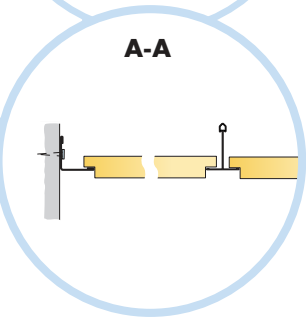
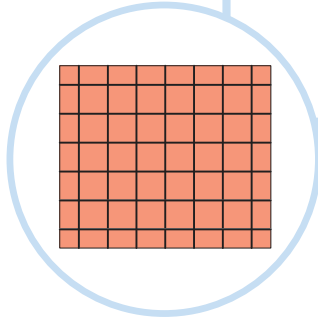
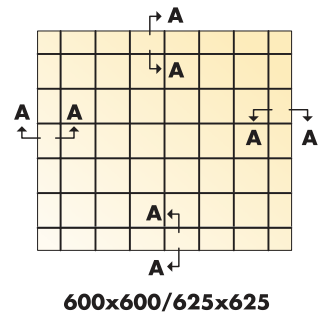
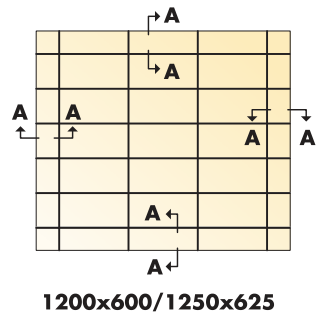
1200x600/1250x625 → 12

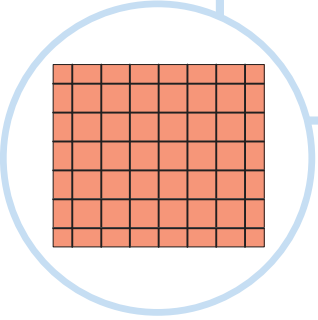
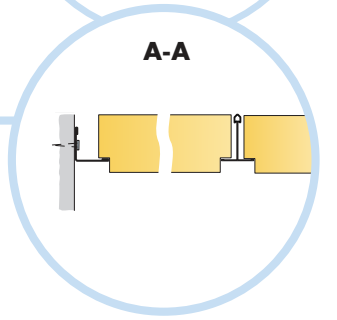
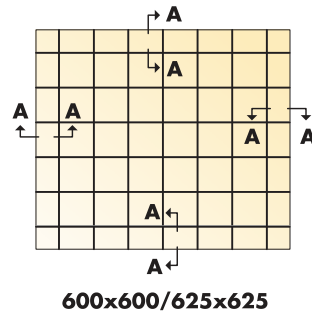
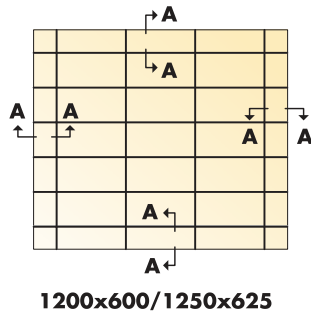
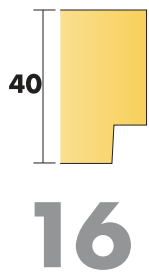
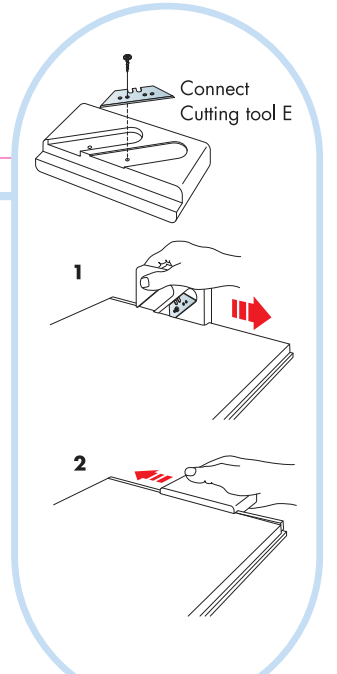
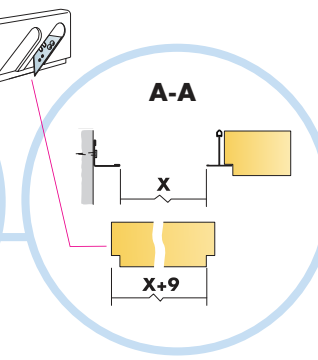
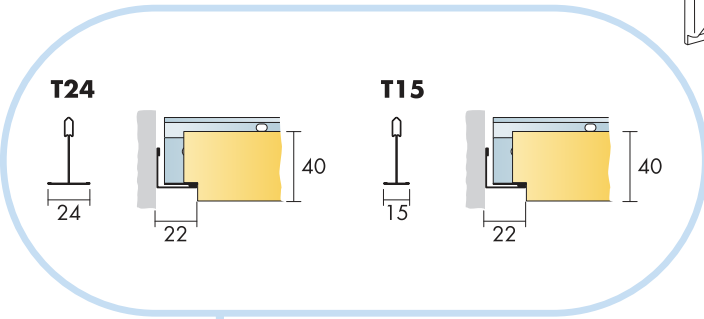
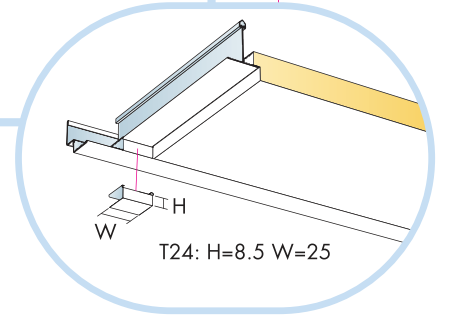
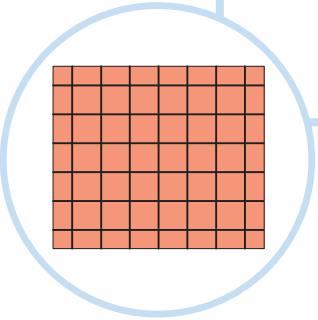
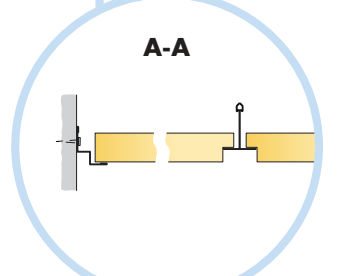
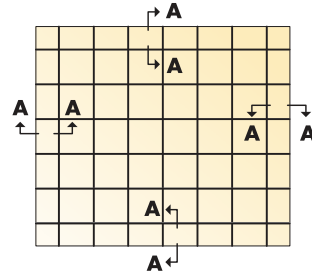
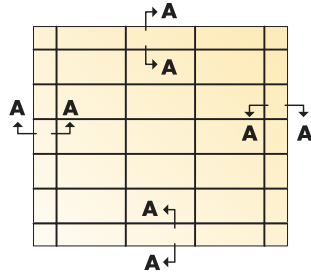
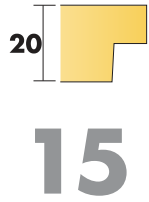
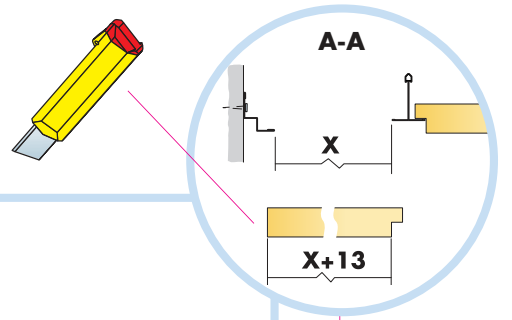
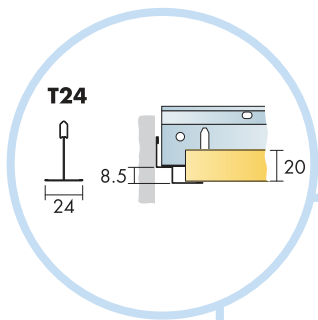


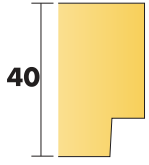
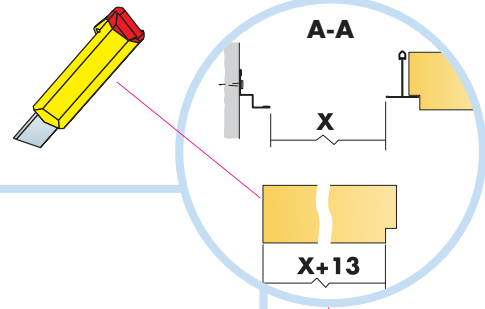
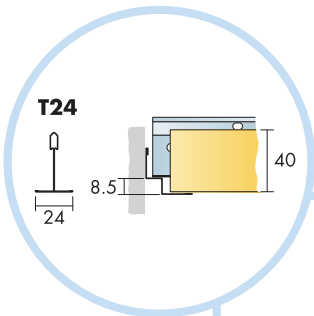
11



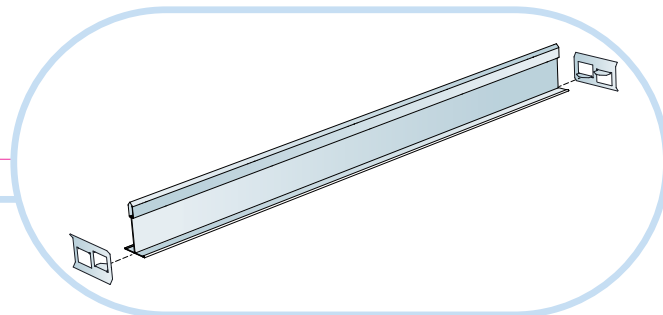
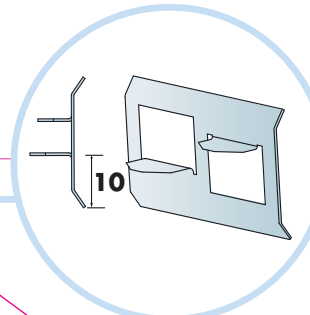
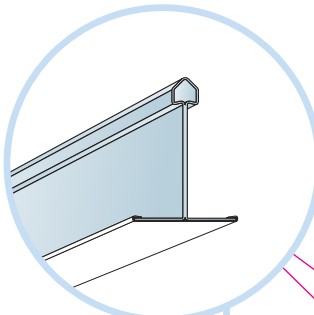
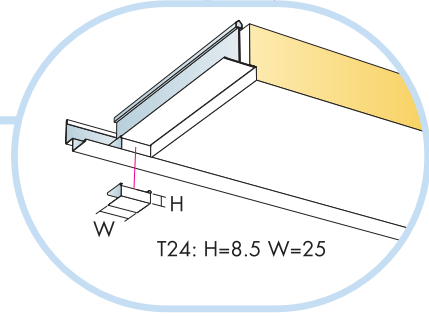
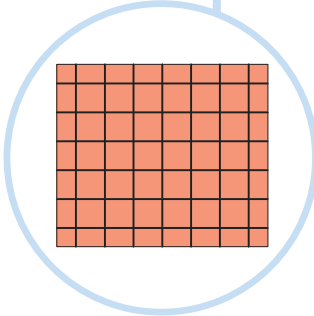
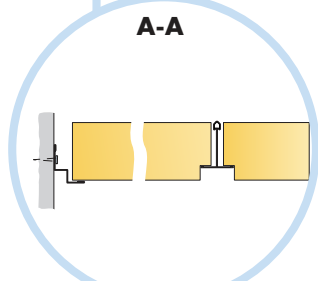
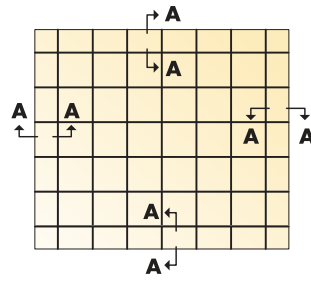
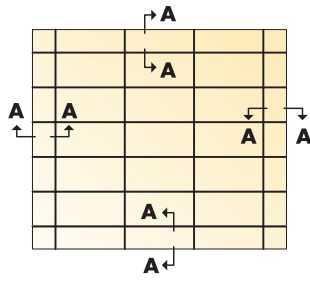
12



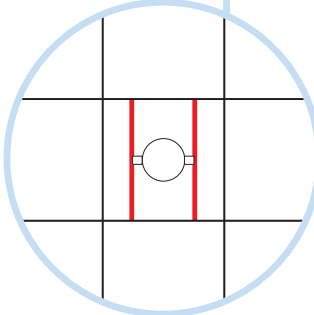
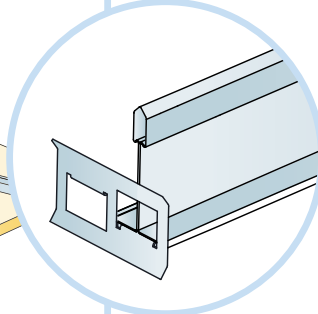
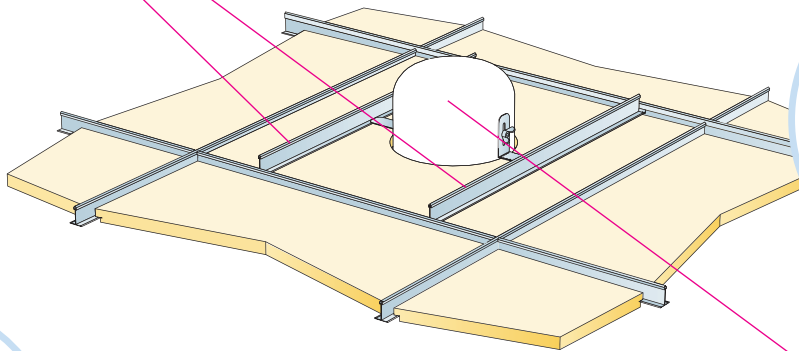


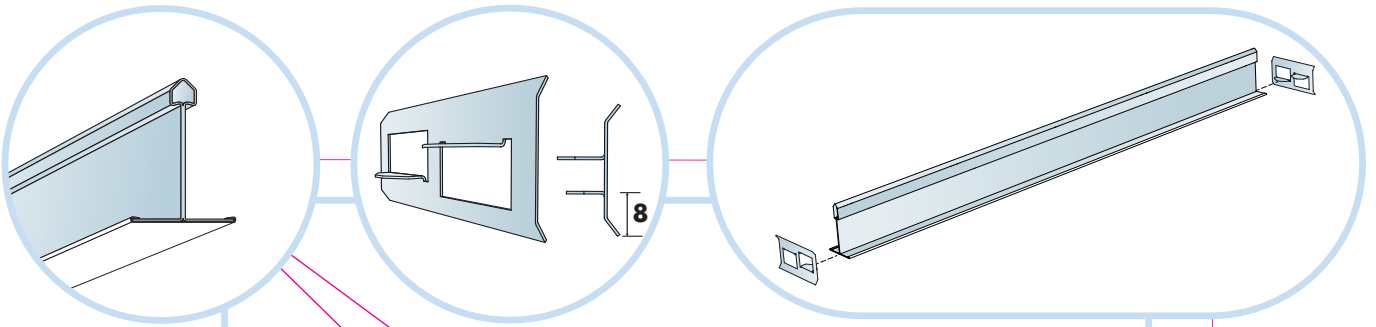


17

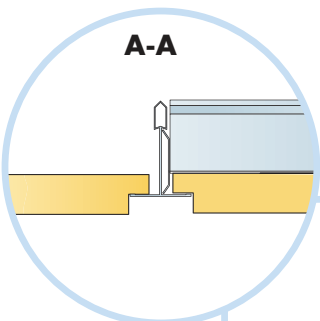
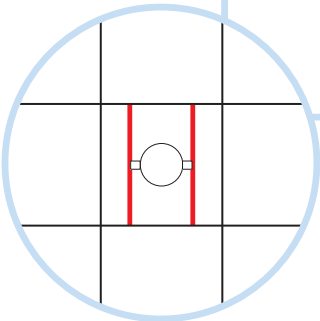
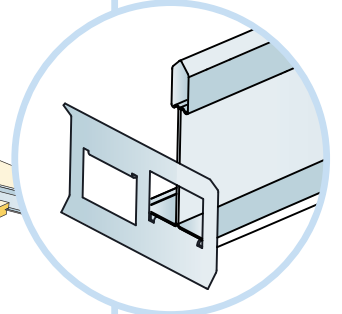
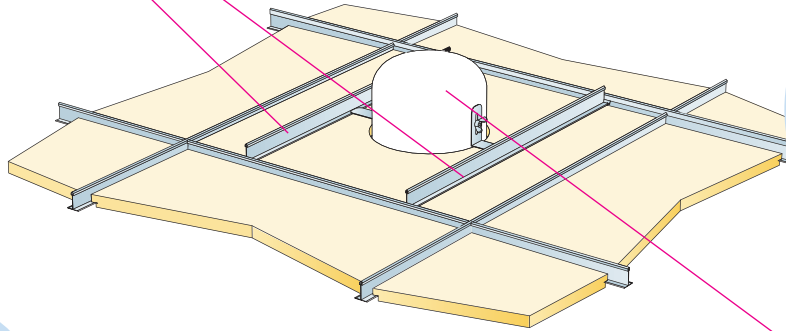


19

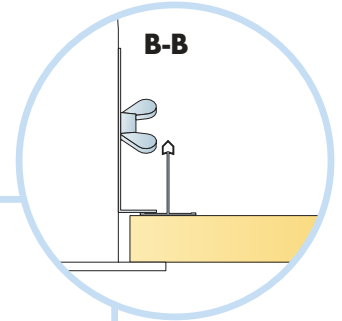




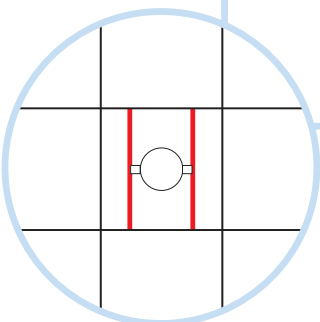
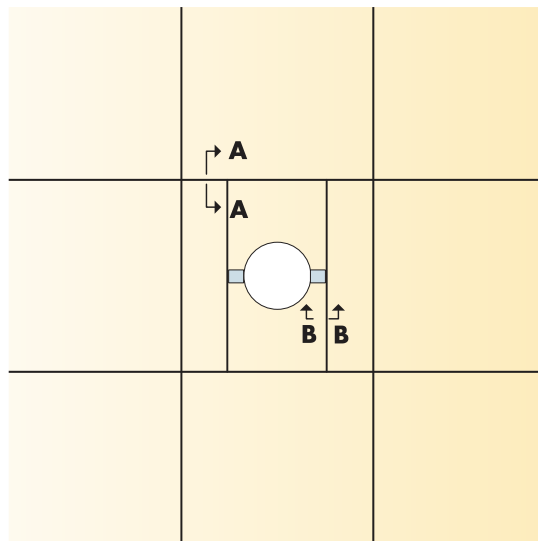
20



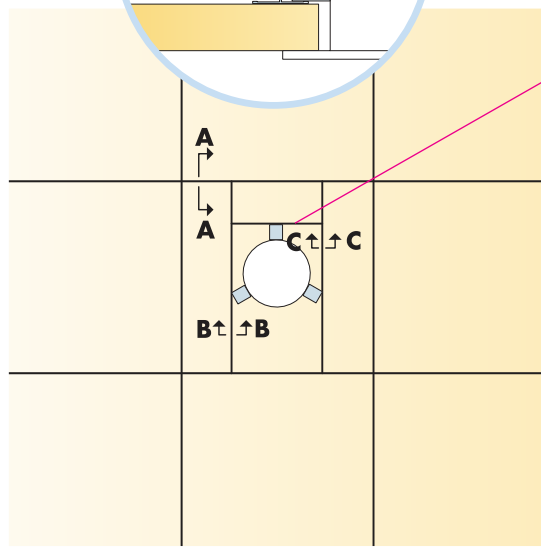
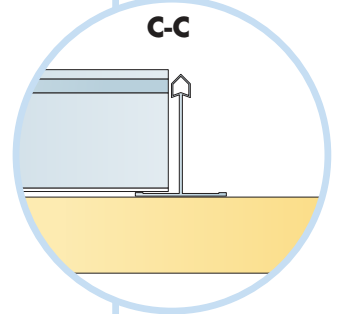
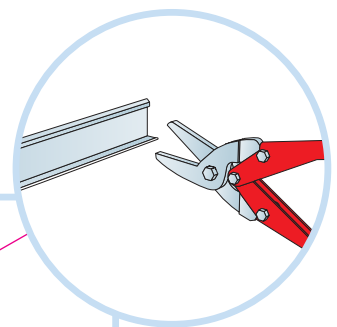
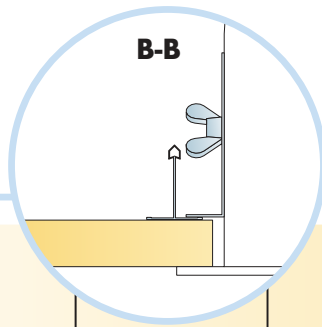
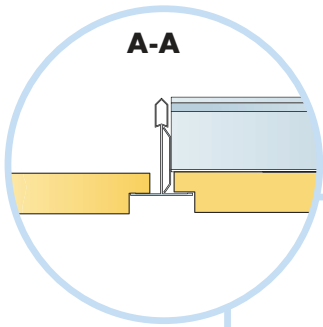
Alt 1



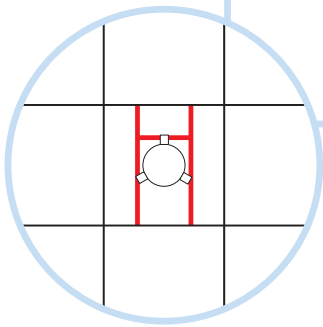
21



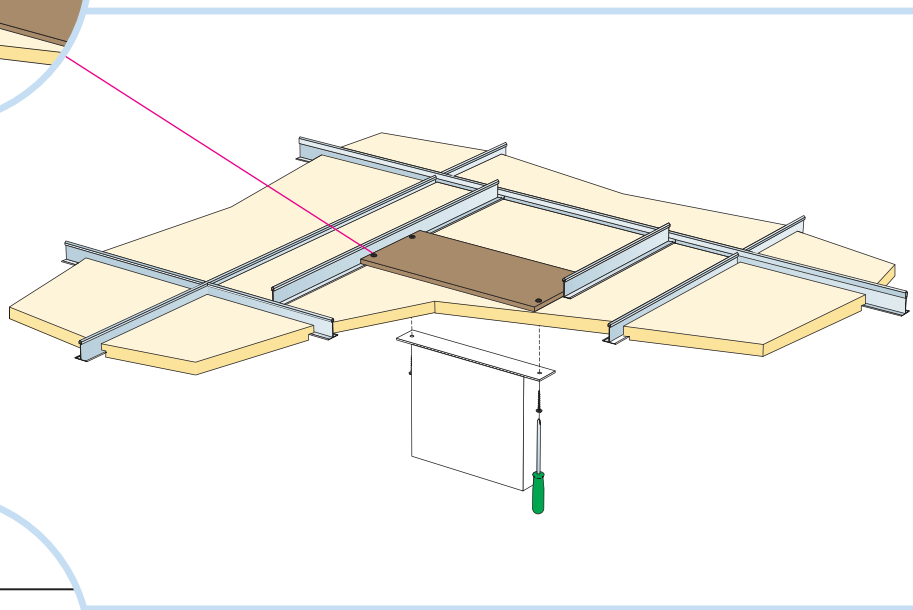
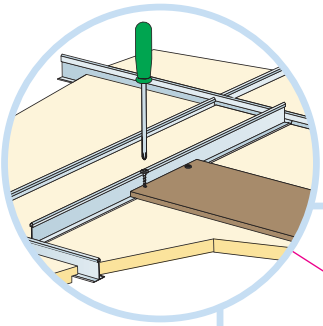
Alt 2



22



Alt 3



23

