



ECOPHON
CLIPSO™

It starts with fabric

A sound effect on people

Saint-Gobain Ecophon contributes to good indoor environments for working, healing and learning. We do this by developing, manufacturing, and delivering acoustic products and systems designed around the natural evolution of human hearing - replicating the outdoor sound experience indoors, because that's just better for people. Having a sound effect on people, in every way we can, is what we do proudly. That promise makes every one of us a passionate advocate for the importance of room acoustics to people's wellbeing - whatever the space, activity or need.

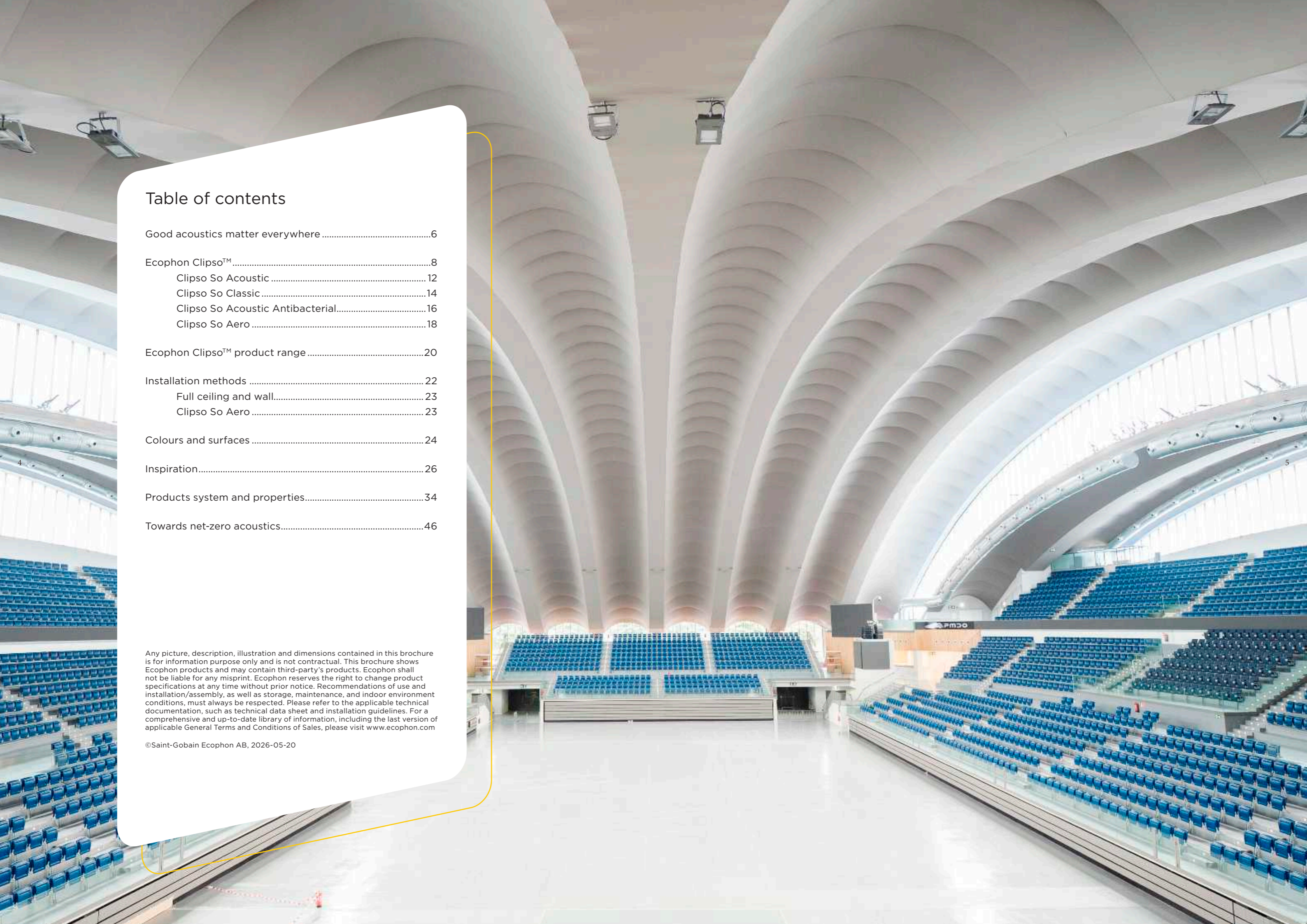


Table of contents

Good acoustics matter everywhere	6
Ecophon Clipso™	8
Clipso So Acoustic	12
Clipso So Classic	14
Clipso So Acoustic Antibacterial.....	16
Clipso So Aero	18
Ecophon Clipso™ product range	20
Installation methods	22
Full ceiling and wall.....	23
Clipso So Aero	23
Colours and surfaces	24
Inspiration.....	26
Products system and properties.....	34
Towards net-zero acoustics.....	46

Any picture, description, illustration and dimensions contained in this brochure is for information purpose only and is not contractual. This brochure shows Ecophon products and may contain third-party's products. Ecophon shall not be liable for any misprint. Ecophon reserves the right to change product specifications at any time without prior notice. Recommendations of use and installation/assembly, as well as storage, maintenance, and indoor environment conditions, must always be respected. Please refer to the applicable technical documentation, such as technical data sheet and installation guidelines. For a comprehensive and up-to-date library of information, including the last version of applicable General Terms and Conditions of Sales, please visit www.ecophon.com

©Saint-Gobain Ecophon AB, 2026-05-20





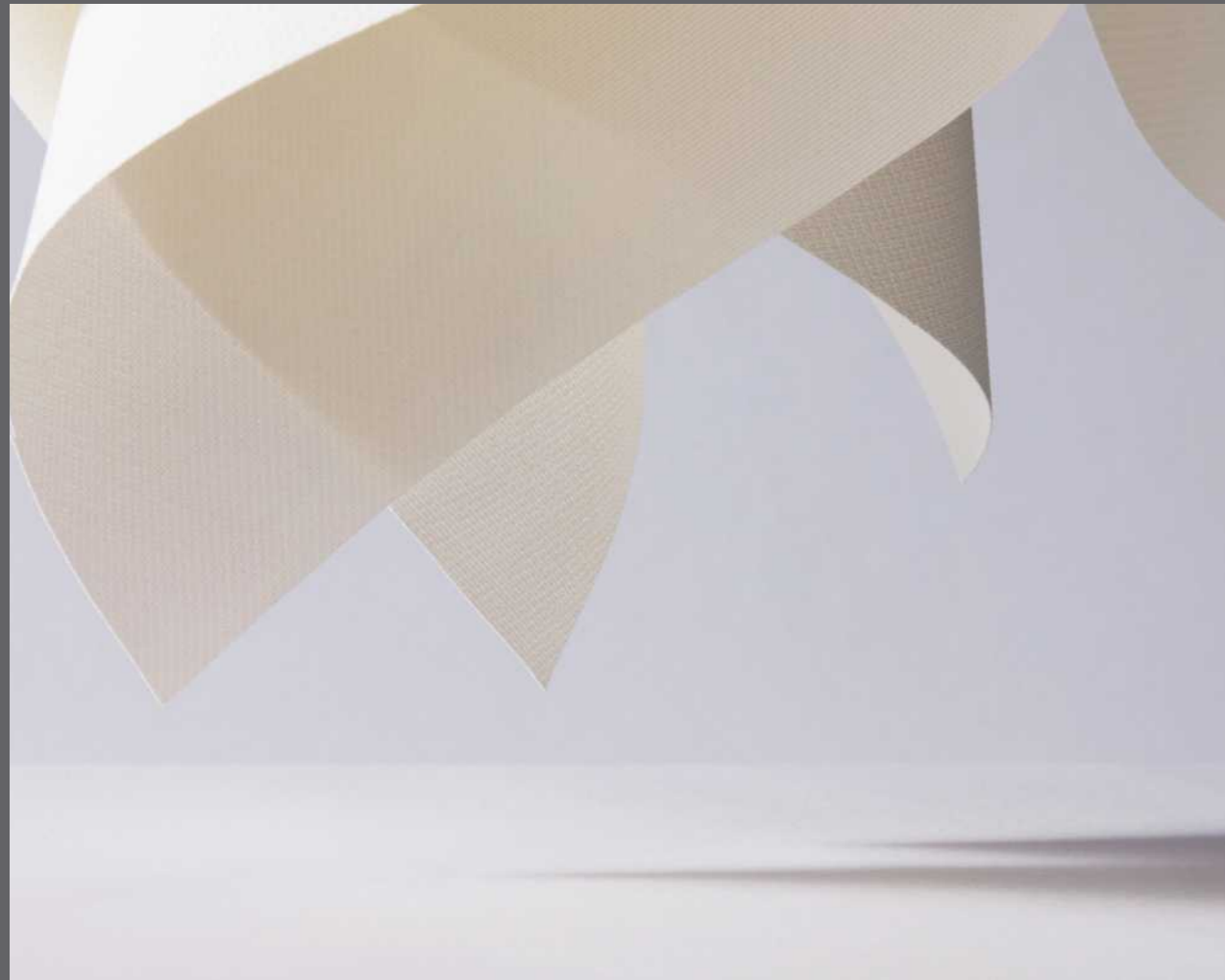
Good acoustics matter everywhere

The importance of acoustics is underappreciated. Sound impacts us in daily life, and the scientific support for improving our indoor sound environments is well documented.

And what exactly is an ideal indoor sound environment for people? One based on how we experience sound outside. The human auditory sense is naturally adapted to an outdoor environment where there is not any sound reflections from ceilings and walls.

That's why most of what we do at Ecophon is about replicating the acoustic qualities found in nature for indoor environments. We want to optimise indoor spaces to our natural way of hearing, so that speech and sound is easy to hear and understand, when needed, improving performance and wellbeing.

Usually that starts with the ceiling. A wall-to-wall acoustic ceiling is the easiest way to get a large sound-absorbing surface area into a space, and is usually the best way to reduce sound strength, shorten reverberation times, and increase speech clarity and overall hearing comfort.



ECOPHON CLIPSO™

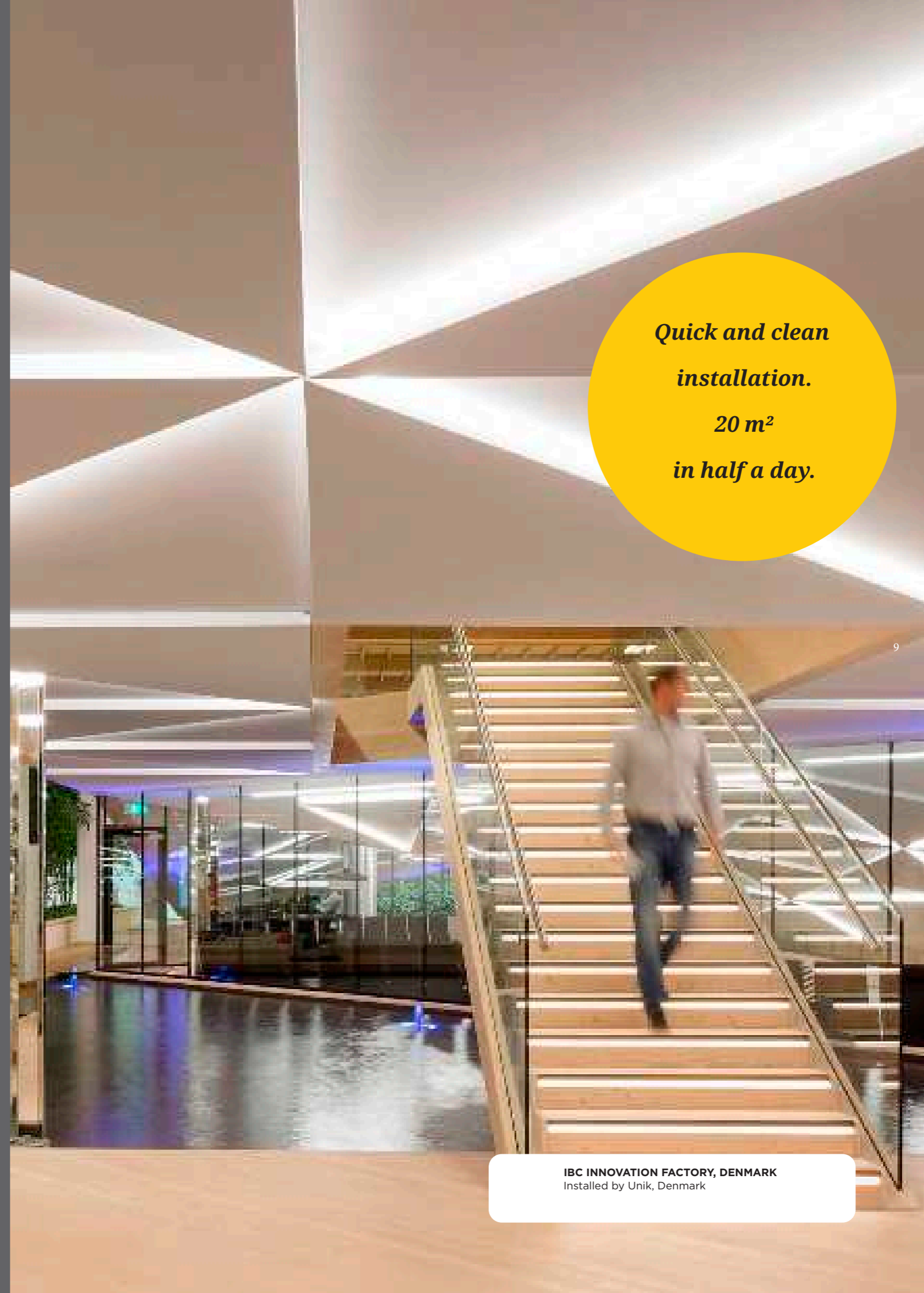
It starts with fabric

Ecophon Clipso™ is a knitted premium technical fabric that is coated to provide highly resistant surface. It allows you to dress walls and ceilings with full covering. To create a seamless look, the fabric is stretched by the discrete profile, fixed to the room's perimeter.

- Cold and dry installation
- Up to absorption class A
- Available in 24 standard colours
- Infinitely customisable

Clipso offers a wide choice of premium fabrics. They are infinitely customisable, offering the freedom to be unique and transform walls and ceilings into works of art.

*Quick and clean
installation.
20 m²
in half a day.*



IBC INNOVATION FACTORY, DENMARK
Installed by Unik, Denmark



Colours and prints

Clipso provides a wide range of colour options, including 24 standard colours, custom colours, personalised prints, and various widths to suit your specific requirements.

Wide covers - up to 5.10 m

Whole walls can be covered using just one holder. Looking to cover a larger surface? No problem - just use double joint installation. Create a stretch ceiling with two covers, with minimal visible connections.

A perfect finish for impeccable results

Clipso profiles are designed to be discreet and create a seamless look. Our system will provide you with high-quality walls and stretch ceilings.

Cold and dry installation

Clipso fabric is stretched without heating. Installation is quick and clean, with no energy consumption, dust, odour and rearrangement needs.

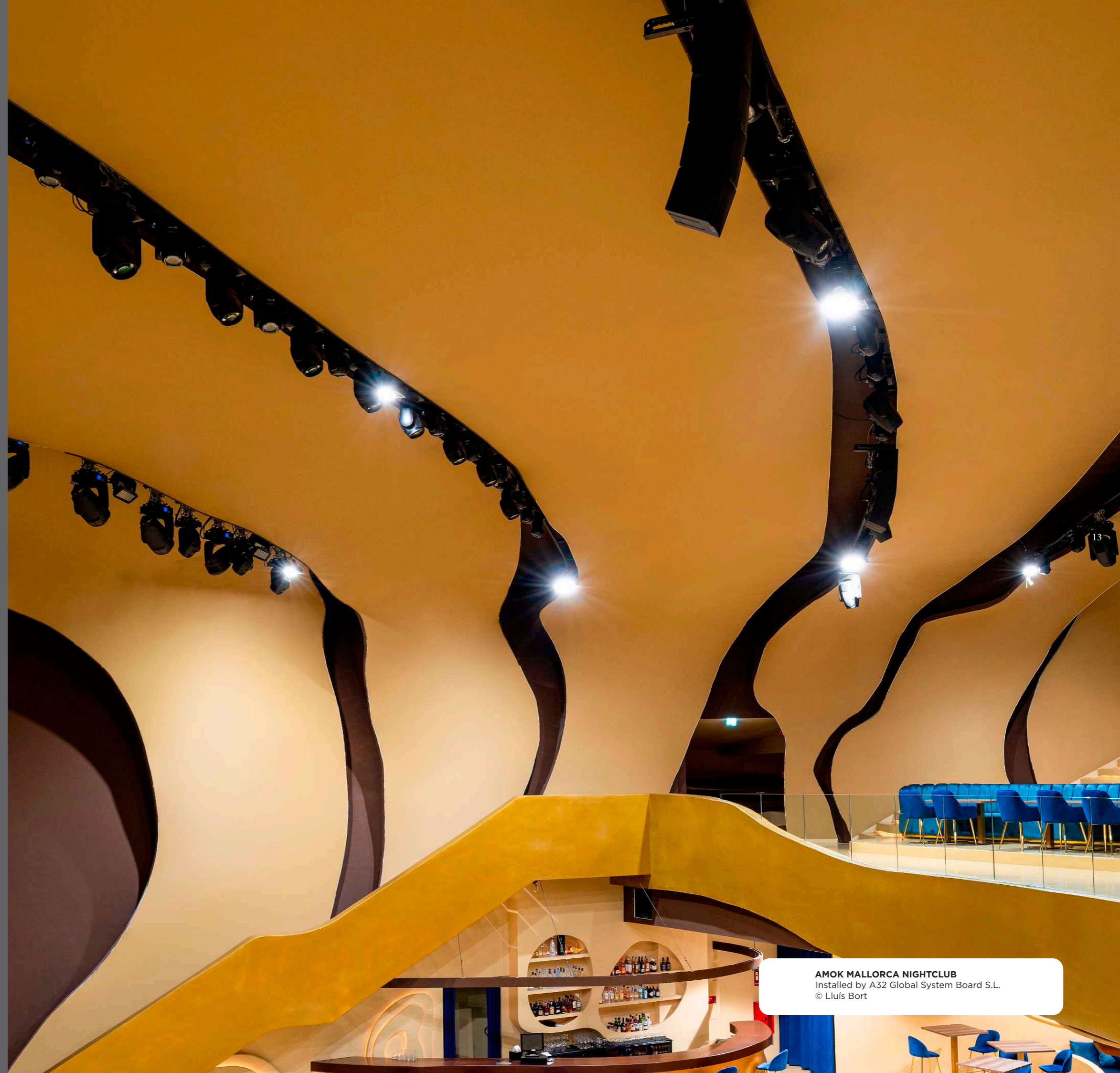
Ecophon Clipso™ So Acoustic

Fabric and acoustics in one

Ecophon Clipso™ So Acoustic covering is a major technical achievement that combines acoustic performance with a stretched fabric.

So Acoustic 495D/AC is an open structure knitted fabric with a uniform coating, used for rooms that needs acoustic improvement. It has a wide range of applications and is suitable for both residential and non-residential areas.

- Absorption up to class A, installed with a 10, 30 or 50 mm absorber
- Up to 5.10 m width
- Cold and dry installation



AMOK MALLORCA NIGHTCLUB
Installed by A32 Global System Board S.L.
© Lluís Bort

Ecophon Clipso™ So Classic

For aesthetic and texture

Ecophon Clipso™ So Classic covering works beautifully with any interior and is quick and easy to install.

So Classic 705 S is a fabric with a uniform coating and a timeless, neutral elegance. It has a wide range of applications and is suitable for both residential and non residential areas.

- Light weight fabric installed without absorber
- Up to 5.10 m width
- Cold and dry installation with a neutral finish



Ecophon Clipso™ So Acoustic Antibacterial

Acoustic and antibacterial fabric

Ecophon Clipso™ So Acoustic Antibacterial is an open structure knit fabric with a uniform coating, that can be combined with an acoustic absorbent to reduce noise levels. With its Sanitized® antimicrobial protection, Clipso So Acoustic Antibacterial is perfectly suited for healthcare premises and other areas with antibacterial needs, both for ceilings and walls.

- Quick and dust free installation for wall and ceiling
- Absorption up to class A, installed with a 10, 30 or 50 mm absorber
- Sanitized® antimicrobial protection



Ecophon Clipso™ So Aero

Free-hanging and wall-mounted absorbers in stretched fabric

Ecophon Clipso™ So Aero combines acoustic performance and elegant design. Create interesting design expressions with the wide range of standard sizes or use custom-made shapes in your own design. Easy to install with wires in ceiling, or brackets for wall mounting.

- Ceiling and wall solution
- Light weight and robust aluminium frames
- A wide range of colours and edge-finishes
- Possible to customise with print and colour on demand



18

Edge design

Our So Aero standard range comes in different edge designs. Textile wrapped or visible aluminium frame in anodised aluminium, black or white.

Looking for a more elegant design? Choose the Arawn edge, bevelled edge wrapped in textile for 39 mm high frames.



19

Product range

ECOPHON CLIPSO™

With Clipso you can choose between a variety of sizes and colours. They can be mounted as full ceiling and wall covering but also be used as free-hanging units and wall mounted absorbers.

SO ACOUSTIC



Measurements	Grids/profiles
x2000x0,4 (495D)	Ceiling, Wall
x2500x0,4 (495AC)	Ceiling, Wall
x3350x0,4 (495D, 495 AC)	Ceiling, Wall
x4100x0,4 (495D)	Ceiling, Wall
x5100x0,4 (495D, 495AC)	Ceiling, Wall

SO ACOUSTIC ANTIBACTERIAL



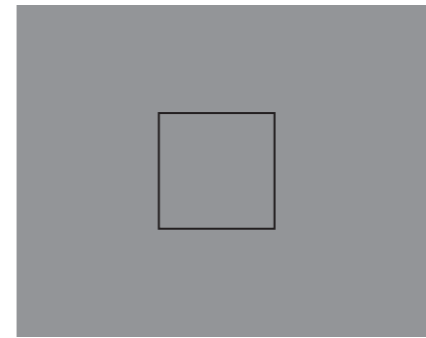
Measurements	Grids/profiles
x2000x0,4	Ceiling, Wall
x2500x0,4	Ceiling, Wall
x3350x0,4,4	Ceiling, Wall
x4100x0,4	Ceiling, Wall
x5100x0,4	Ceiling, Wall

SO CLASSIC



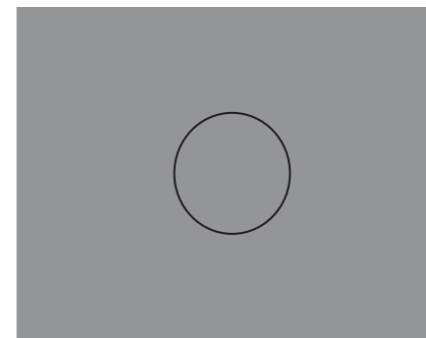
Measurements	Grids/profiles
x2000x0,3	Ceiling, Wall
x2500x0,3	Ceiling, Wall
x3350x0,3	Ceiling, Wall
x4100x0,3	Ceiling, Wall
x4500x0,3	Ceiling, Wall
x5100x0,3	Ceiling, Wall

SO AERO SQUARE



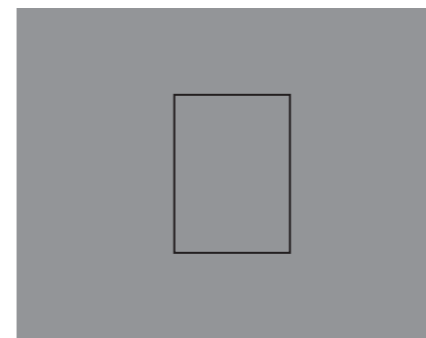
Measurements	Grids/profiles
1800x1800x40	Ceiling, Wall
1800x1800x60	Ceiling, Wall
1800x1800x100	Ceiling, Wall
2400x2400x40	Ceiling, Wall
2400x2400x60	Ceiling, Wall
2400x2400x100	Ceiling, Wall

SO AERO CIRCLE



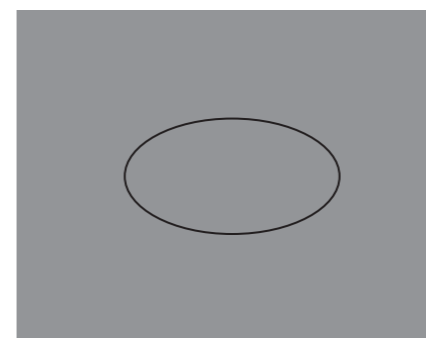
Measurements	Grids/profiles
Ø 1400x40	Ceiling, Wall
Ø 1800x60	Ceiling, Wall
Ø 1800x100	Ceiling, Wall

SO AERO RECTANGULAR



Measurements	Grids/profiles
1200x1800x40	Ceiling, Wall
1200x1800x60	Ceiling, Wall
1200x1800x100	Ceiling, Wall
1200x2400x40	Ceiling, Wall
1200x2400x60	Ceiling, Wall
1200x2400x100	Ceiling, Wall

SO AERO ELLIPSE



Measurements	Grids/profiles
1850x1200x60	1850x1200x60

Installation methods

Installation methods - full ceiling and wall

Quick and easy installation in room temperature

The Clipso fabric is installed quickly and cleanly, without the need for heating. It offers a fast, odour-free, clean installation with minimal energy consumption, disturbance and waste.



Few components

Installing Clipso only takes a few components; Clipso technical fabric, PVC profiles and acoustic absorbent. By using Clipso's spatula, the fabric is easily fitted to the profiles and stretched out, giving you a seamless result.



Innovative PVC profiles

Ecophon Clipso™ profiles make your ceiling compatible with a range of different shape combinations. They are discreet and easy to install and cut. The connectors are invisible, giving you high-quality stretch walls and ceilings.



Acoustic absorbent

Choose between several different thicknesses of acoustic absorbents to meet your specific need.



Fabric

Technical knitted fabric.

Installation methods - So Aero

The shapes are easily installed using wires for ceiling installation and brackets for wall installation.



Ceiling installation with wires

Wire kits in length 1, 3 and 6 m.



Ceiling installation with brackets

Brackets for wall installation for easy mounting and demounting.

Colours and surfaces

Ecophon Clipso™ offers a large choice of premium fabrics. They are infinitely customisable, and offer the freedom to be unique and turn walls and ceilings into works of art.

So Acoustic Fabric and acoustics in one (495 AC)



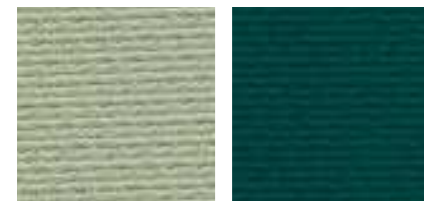
Wax 4004 Citrus 4005 Chalky White 4011 Nude 4012 Purple Ash 4022 Stone 4025



Blueberry 4028 Seafoam 4031 Sea Grey 4032 Cobolt Blue 4034 Indigo 4035 Pebble Grey 4040



Pepper Grey 4041 Cement Grey 4051 Ash 4052 Antracite 4054 Chestnut 4062 Sieanna 4064



Clay Green 4071 Pine Green 4072

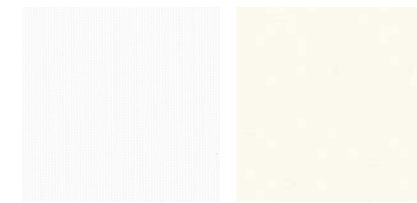
Note
Colours may vary slightly between different production batches. Reproduction of colours vary between print and reality.

So Acoustic Fabric and acoustics in one (495 D)



Classic white 0002 White 0003 Back 9999

So Classic For aesthetic and texture (705 S)



Optic white 0001 Classic white 0002

So Acoustic Antibacterial Acoustic and antibacterial textile (495 DAB)



White 0003



Ecophon® Clipso™ panels and technical fabrics contribute to high-quality indoor environments with excellent acoustic performance and low VOC emissions. Where tested, Clipso technical fabrics are certified to Eurofins Indoor Air Comfort® Gold and French VOC A+ emissions levels, in line with stringent European indoor air quality requirements (VOC certification applicable to the tested technical fabrics and absorbent combinations).

Environmental Product Declarations (EPDs) are available for specific Clipso configurations and cover key life-cycle stages (A1 to C4) in accordance with ISO 14025 and EN 15804 product category rules. EPDs are independently verified by third party and published for selected products such as Clipso So Acoustic and related absorber combinations.

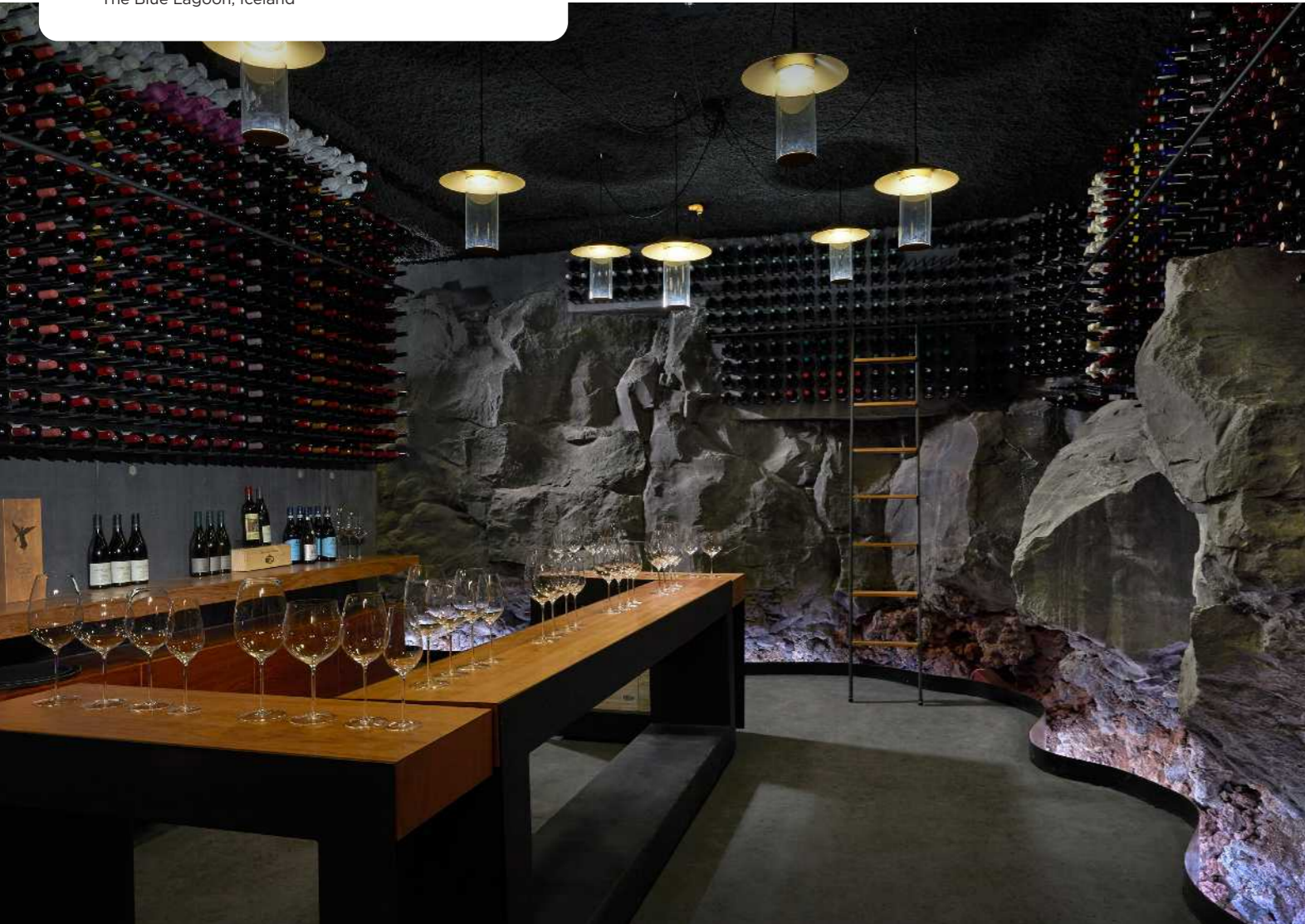
Clipso technical fabrics are CE-marked in accordance with the European harmonised standard EN 14716:2005. Reaction-to-fire performance for installed Clipso systems is classified according to EN 13501-1, with system classifications up to B-s1, d0 depending on configuration.

Note

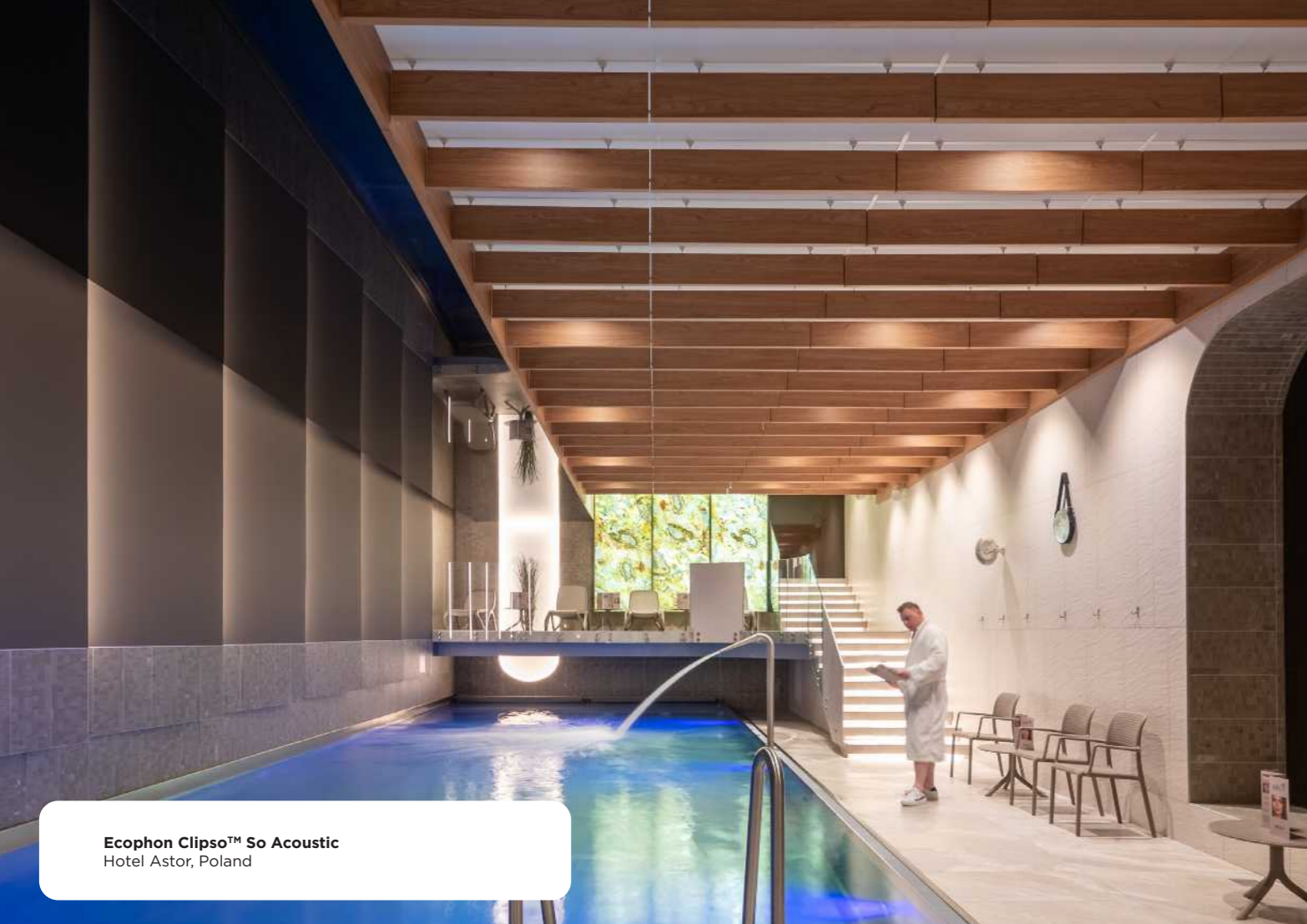
More product and system information such as installation help and sustainability documentation can be found at www.ecophon.com



26 **Ecophon Clipso™ So Acoustic**
The Blue Lagoon, Iceland



Ecophon Clipso™ So Aero
Motion picture association (MPA), United States



Ecophon Clipso™ So Acoustic
Hotel Astor, Poland

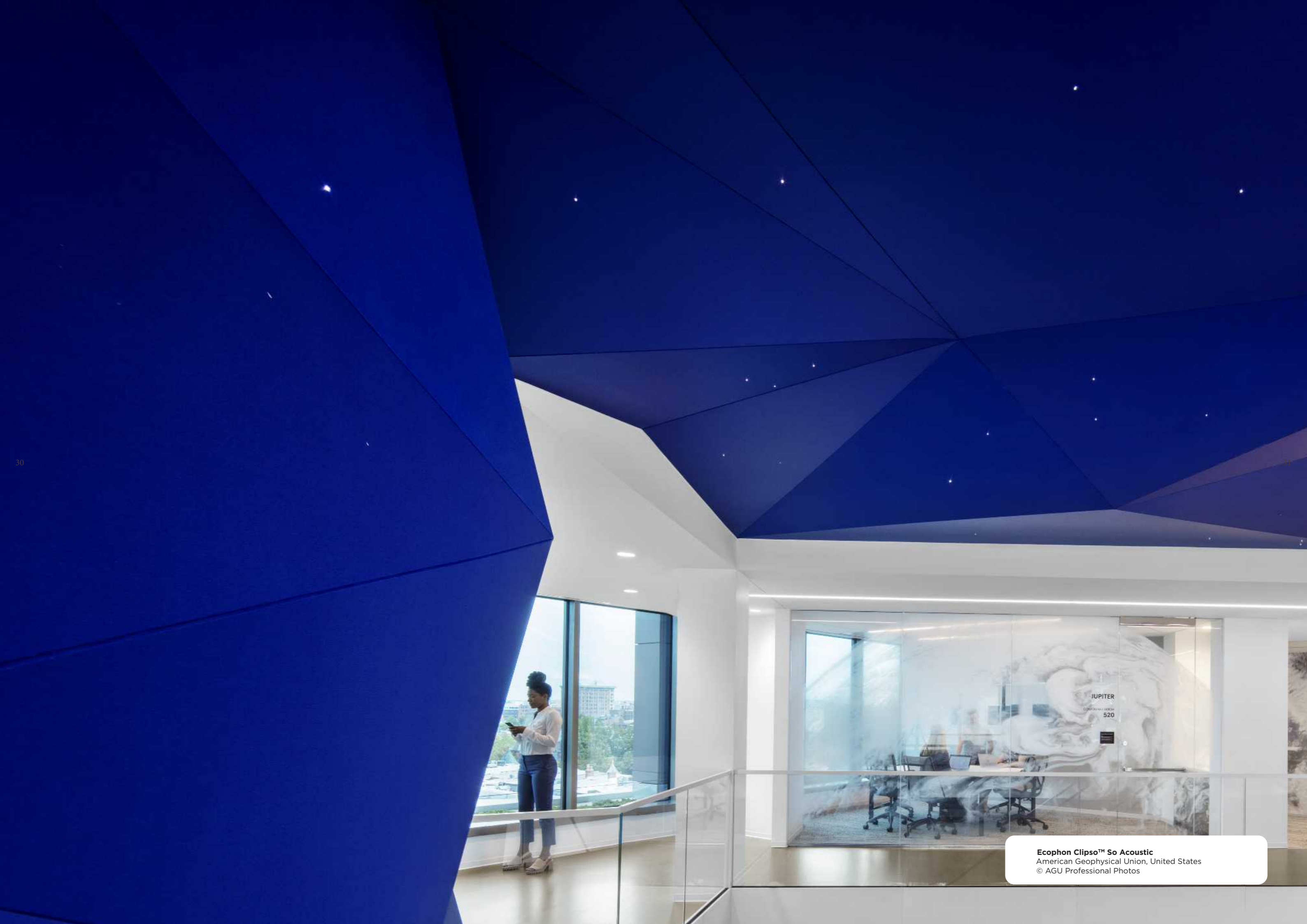
28



Ecophon Clipso™ So Acoustic
Emiri Terminal Airport, United Arab Emirates



Ecophon Clipso™ So Acoustic
Belgium



Ecophon Clipso™ So Acoustic
American Geophysical Union, United States
© AGU Professional Photos



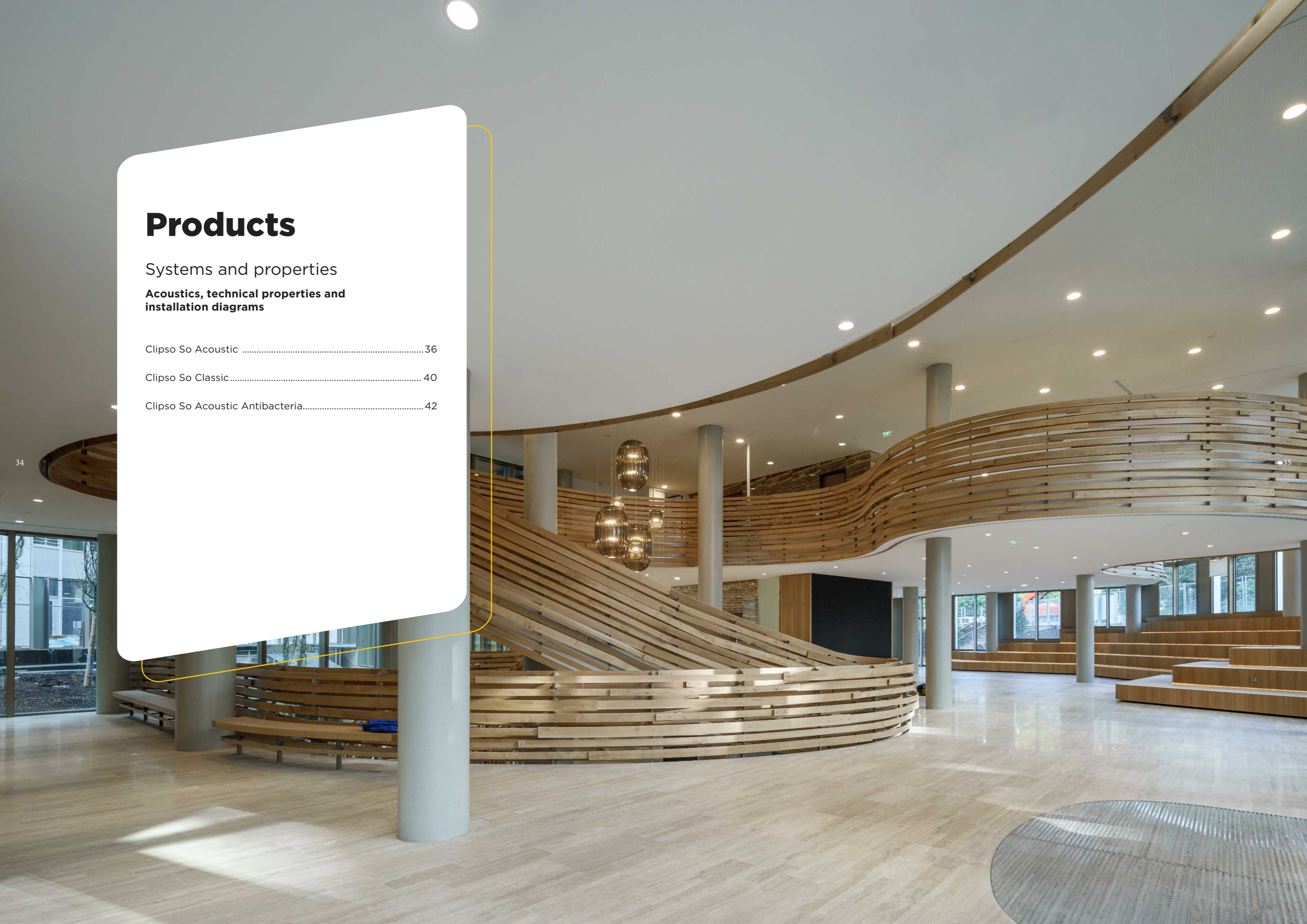
Ecophon Clipso™ So Aero
Haberdasher Askes Boys School, United Kingdom

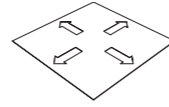
Products

Systems and properties

Acoustics, technical properties and installation diagrams

Clipso So Acoustic	36
Clipso So Classic.....	40
Clipso So Acoustic Antibacteria.....	42



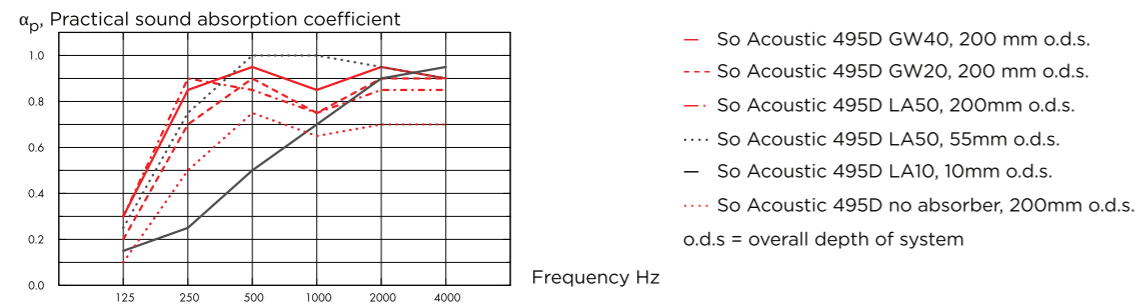
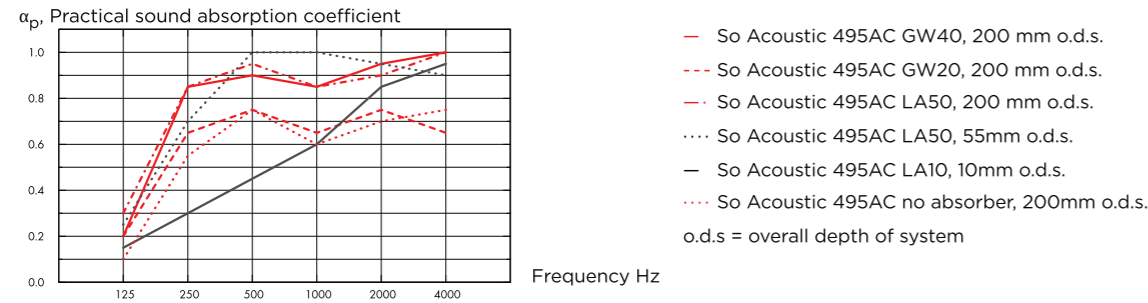


Ecophon Clipso™ So Acoustic

ACOUSTICS: Clipso is most often installed with an absorber behind. In information given below GW40 stands for Glass Wool 40 mm thick, LA10 is a PET absorber thickness 10 mm, etc.

Sound Absorption:

Test results according to EN ISO 354. Classification according to EN ISO 11654, and the single value ratings for Noise Reduction Coefficient, NRC and Sound Absorption Average, SAA according to ASTM C 423.



	THK mm	o.d.s. mm	α_p , Practical sound absorption coefficient						α_w	Sound absorption class
			125 Hz	250 Hz	500 Hz	1000 Hz	2000 Hz	4000 Hz		
495AC GW40	40	200	0.20	0.85	0.90	0.85	0.95	1.00	0.90	A
495AC GW20	20	200	0.20	0.65	0.75	0.65	0.75	0.65	0.75	C
495AC LA50	50	200	0.30	0.85	0.95	0.85	0.90	1.00	0.90	A
495AC LA50	50	55	0.25	0.70	1.00	1.00	0.95	0.90	0.95	A
495AC LA10	10	10	0.15	0.30	0.45	0.60	0.85	0.95	0.50	D
495AC	0	200	0.10	0.55	0.75	0.60	0.70	0.75	0.70	C
495D GW40	40	200	0.30	0.85	0.95	0.85	0.95	0.90	0.95	A
495D GW20	20	200	0.20	0.70	0.90	0.75	0.90	0.90	0.85	B
495D LA50	50	200	0.30	0.90	0.85	0.75	0.85	0.85	0.85	B
495D LA50	50	55	0.25	0.75	1.00	1.00	0.95	0.90	1.00	A
495D LA10	10	10	0.15	0.25	0.50	0.70	0.90	0.95	0.50	D
495D	0	200	0.10	0.50	0.75	0.65	0.70	0.70	0.70	C

INDOOR AIR QUALITY:

Certificate / Label	Clipso Technical Fabric	Clipso LA absorber	Ecophon acoustic board for Clipso
Eurofins Indoor Air Comfort®	IAC Gold	-	IAC Gold
French VOC	A+	A+	A+

CARBON FOOTPRINT: Life-cycle stages A1 to C4 from EPD, in conformity with ISO 14025 / EN 15804

	kg CO ₂ equiv/m ²
495D	2,17
495D + LA10	4,32
495D + LA50	8,40
495AC	2,07
495AC + LA10	4,22
495AC + LA50	8,29
Clipso board 20 mm	2,32
Clipso board 40 mm	3,75

FIRE SAFETY: Europe: EN 13501-1, B-s1,d0, International Maritime Organisation: Resolutions MSC.307(88) and MSC.61(67), Modules B and D (495D),

HUMIDITY RESISTANCE: Dimensional stability under the action of humidity: EN 14716 (appendix C), 0% (MD), 0% (CMD) (495D), Dimensional stability under the action of heat: EN 12280-1 (30 min, 60°C), 0% (MD), 0% (CMD) (495D, 495AC), Water vapour transmission rate: ISO 2528 (38°C, 90% RH), 1901 g/m² (495D) 2104 g/m² (495AC),

VISUAL APPEARANCE: Matt, smooth and uniform. 495D White, nearest colour sample RAL 9016.

CLEANABILITY: Use of Clipso Cleaning Kit recommended. Alternatively, other pH-neutral cleaning agents can be used with a soft cloth, provided it has first been tested on a scrap piece or on a non-visible area of the fabric.

MOULD AND BACTERIAL RESISTANCE: ISO 846 A: 0, ISO 846 C: 0,

ACCESSIBILITY: The system supports installation of inspection hatches.

INSTALLATION: Installed with Clipso profiles according to installation diagrams and drawing aid.

SYSTEM WEIGHT: 495D: Area weight 245 g/m² ± 10% (ISO 2286-2). 495AC: Area weight 245 g/m² ± 10% (ISO 2286-2).

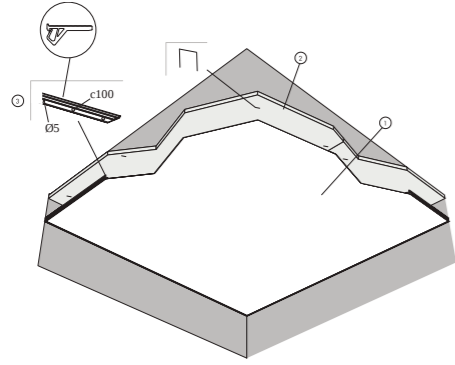
MECHANICAL PROPERTIES: Additional load (lighting, ventilation, etc.) should be hung directly from the soffit. Tensile strength: ISO 1421, 30 daN/5 cm (MD), 54 daN/5 cm (CMD) (495D) 29 daN/5 cm (MD), 107 daN/5 cm (CMD) (495AC), Tear strength: EN 1875-3, 8.9 daN (MD), 15.9 daN (CMD) (495D) 10.8 daN (MD), 17.7 daN (CMD) (495AC),

IMPACT RESISTANCE: Tested and classified according to EN 13964 annex D. M571: 1A,

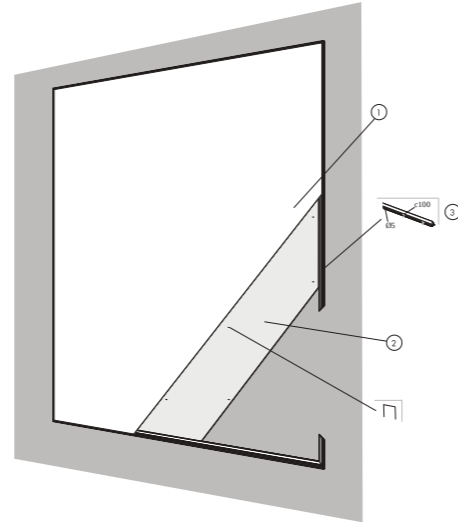
CE: Clipso technical fabrics are CE-marked according to the European harmonized standard EN14716:2005. CE marked construction products are covered by a Declaration of Performance (DOP) which enables customers and users to easily compare performance of products available on the European market.

INSTALLATION DIAGRAM IN DETAIL WWW.ECOPHON.COM

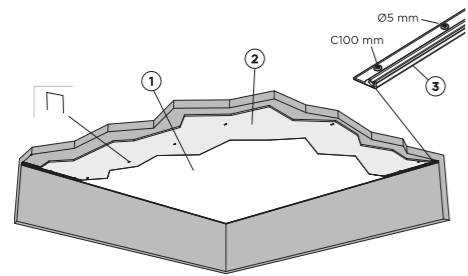
M565
Installation diagram (M571) for Clipso SO Acoustic with acoustic absorbers, ceiling application with PCW profiles



M566
Installation diagram (M566) for Clipso SO Acoustic, wall application with PCC profiles



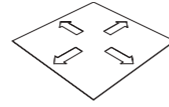
M571
Installation diagram (M571) for Clipso SO Acoustic, ceiling application with PCC profiles



© Saint-Gobain Ecophon AB



Ecophon Clipso™ Customised print
Skymakers, Qatar
© Maxime Ardilouze



Ecophon Clipso™ So Classic

INDOOR AIR QUALITY:

Certificate / Label	Clipso Technical Fabric	Clipso LA absorber
Eurofins Indoor Air Comfort®	IAC Gold	-
French VOC	A+	A+

CARBON FOOTPRINT: Life-cycle stages A1 to C4 from EPD, in conformity with ISO 14025 / EN 15804

	kg CO ₂ equiv/m ²
705S	2,27
Clipso board 20 mm	2,32
Clipso board 40 mm	3,75

FIRE SAFETY: Europe: EN 13501-1, B-s1,d0, International Maritime Organisation: Resolutions MSC.307(88) and MSC.61(67), Modules B and D,

HUMIDITY RESISTANCE: Dimensional stability under the action of humidity: EN 14716 (appendix C), 0% (MD), 0% (CMD), Dimensional stability under the action of heat: EN 12280-1 (30 min, 60°C), 0% (MD), 0% (CMD), Water vapour transmission rate: ISO 2528 (38°C, 90% RH), 1184 g/m²,

VISUAL APPEARANCE: Matt, smooth and uniform. Optical white, nearest colour sample RAL 9016.

CLEANABILITY: Use of Clipso Cleaning Kit recommended. Alternatively, other pH-neutral cleaning agents can be used with a soft cloth, provided it has first been tested on a scrap piece or on a non-visible area of the fabric.

MOULD AND BACTERIAL RESISTANCE: ISO 846 A: 0, ISO 846 C: 0,

ACCESSIBILITY: The system supports installation of inspection hatches.

INSTALLATION: Installed with Clipso profiles according to installation diagrams and drawing aid.

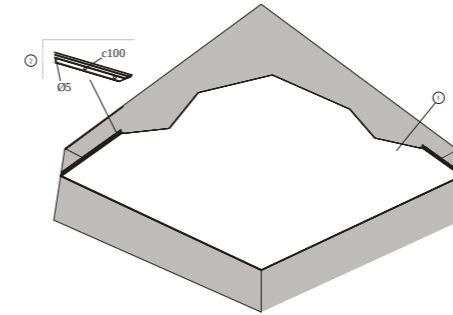
SYSTEM WEIGHT: Area weight 245 g/m² ± 10% (ISO 2286-2).

MECHANICAL PROPERTIES: Additional load (lighting, ventilation, etc.) should be hung directly from the soffit. Tensile strength: ISO 1421 , 28 daN/5 cm (MD), 62 daN/5 cm (CMD), Tear strength: EN 1875-3, 3.7 daN (MD), 6.0 daN (CMD),

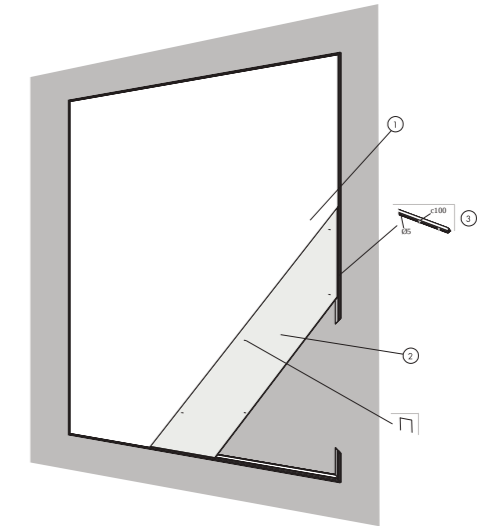
CE: Clipso technical fabrics are CE-marked according to the European harmonized standard EN14716:2005. CE marked construction products are covered by a Declaration of Performance (DOP) which enables customers and users to easily compare performance of products available on the European market.

INSTALLATION DIAGRAM IN DETAIL WWW.ECOPHON.COM

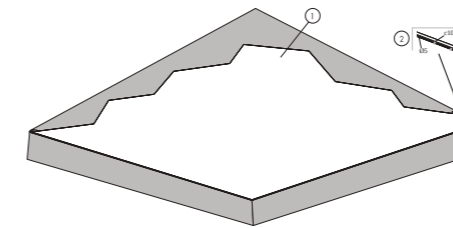
M569
Installation diagram (M569) for Clipso SO Classic, ceiling application with PCW profiles

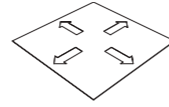


M570
Installation diagram (M570) for Clipso SO Classic, wall application



M572
Installation diagram (M572) for Clipso SO Classic, ceiling application with PCC profiles



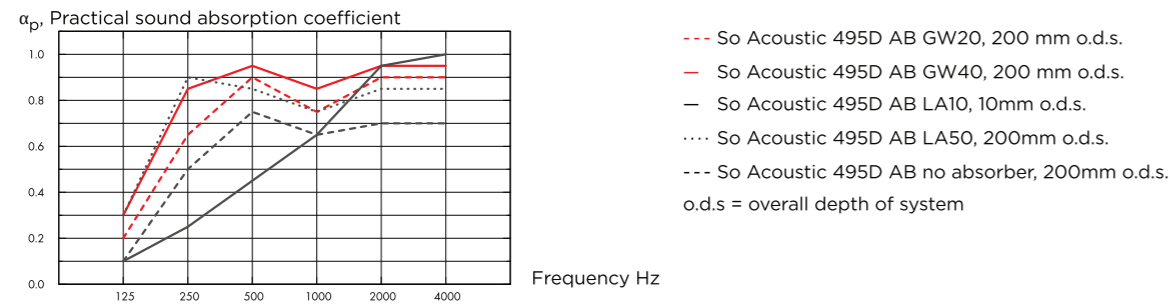


Ecophon Clipso™ So Acoustic Antibacterial

ACOUSTICS:

Sound Absorption:

Test results according to EN ISO 354. Classification according to EN ISO 11654.



	THK mm	o.d.s. mm	α_p , Practical sound absorption coefficient						α_w	Sound absorption class
			125 Hz	250 Hz	500 Hz	1000 Hz	2000 Hz	4000 Hz		
495D AB GW20	20	200	0.20	0.65	0.90	0.75	0.90	0.90	0.85	B
495D AB GW40	40	200	0.30	0.85	0.95	0.85	0.95	0.95	0.95	A
495D AB LA10	10	10	0.10	0.25	0.45	0.65	0.95	1.00	0.50	D
495D AB LA50	50	200	0.30	0.90	0.85	0.75	0.85	0.85	0.85	B
495D AB	0	200	0.10	0.50	0.75	0.65	0.70	0.70	0.70	C

INDOOR AIR QUALITY:

Certificate / Label	Clipso Technical Fabric	Clipso LA absorber	Ecophon acoustic board for Clipso
Eurofins Indoor Air Comfort®	IAC Gold	-	IAC Gold
French VOC	A+	A+	A+

CARBON FOOTPRINT: Life-cycle stages A1 to C4 from EPD, in conformity with ISO 14025 / EN 15804

	kg CO ₂ equiv/m ²
495D	2,12
495D + LA10	4,16
495D + LA50	7,98
Clipso board 20 mm	2,32
Clipso board 40 mm	3,75

FIRE SAFETY: Europe: EN 13501-1, B-s1,d0,

HUMIDITY RESISTANCE: Dimensional stability under the action of humidity: EN 14716 (appendix C), 0% (MD), 0% (CMD), Dimensional stability under the action of heat: EN 12280-1 (30 min, 60°C), 0% (MD), 0% (CMD), Water vapour transmission rate: ISO 2528 (38°C, 90% RH), 1084 g/m²,

VISUAL APPEARANCE: Matt, smooth and uniform. Nearest colour sample RAL 9016.

CLEANABILITY: Use of Clipso Cleaning Kit recommended. Alternatively, other pH-neutral cleaning agents can be used with a soft cloth, provided it has first been tested on a scrap piece or on a non-visible area of the fabric.

ADVANCED CLEANABILITY: Steam cleaning. Compatible with UV-C disinfection, BIFMA HCF 8.1-2019.

SURFACE ENDURANCE: Product tested according to ISO 11998, and withstand 200 cycles.

CHEMICAL RESISTANCE/DISINFECTION: Tested according to ISO 11998 and withstand the following chemicals or disinfectants. Ethanol: Ethanol, 70%, Virkon S: Dipotassium peroxodisulphate; Sulphamidic acid, 1%, Isopropanol: Isopropyl Alcohol, 70%, Anioxy-Spray: Hydrogen peroxide, 5%, Sumabac D10: Quaternary ammonium compound, Sodium carbonate, 1%,

MOULD AND BACTERIAL RESISTANCE: Sanitized® Hygiene Function and Material Protection is a treatment that eliminates harmful microorganisms and provides a barrier against contamination, ensuring cleanliness and safety in areas where it matters the most. ISO 846 A: 0, ISO 846 C: 0, Sanitized® : Compliant,

ACCESSIBILITY: The system supports installation of inspection hatches.

CLEAN ROOM: ISO 14644: Particle cleanliness class, ISO 4, NF S 90-351: Microbiological class, M1/area 4, NF S 90-351: Particle elimination kinetics, CP(0,5) 5,

INSTALLATION: Installed with Clipso profiles according to installation diagrams and drawing aid. Non-magnetic system when specific fixation screws are used.

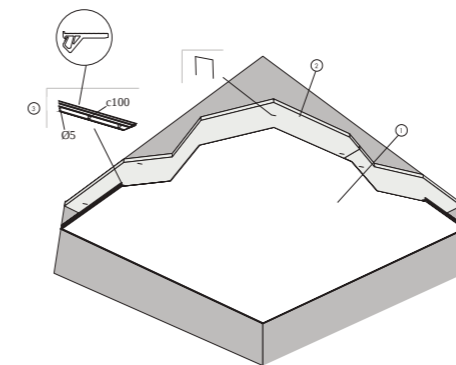
SYSTEM WEIGHT: Area weight 245 g/m² ± 10% (ISO 2286-2)

MECHANICAL PROPERTIES: Additional load (lighting, ventilation, etc.) should be hung directly from the soffit. Tensile strength: ISO 1421 , 30 daN/5 cm (MD), 54 daN/5 cm (CMD) (495D) 29 daN/5 cm (MD), 107 daN/5 cm (CMD) (495AC), Tear strength: EN 1875-3, 8.9 daN (MD), 15.9 daN (CMD) (495D) 10.8 daN (MD), 17.7 daN (CMD) (495AC),

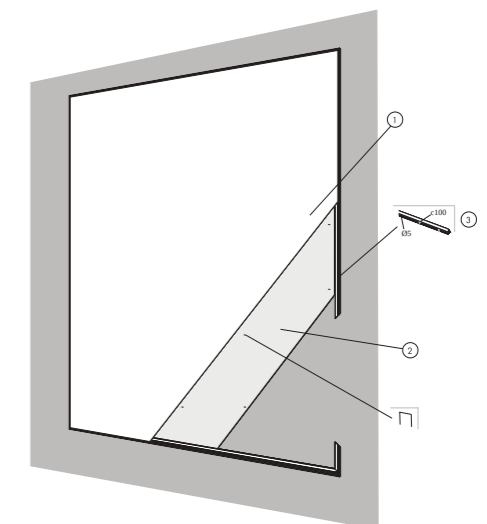
CE: Clipso technical fabrics are CE-marked according to the European harmonized standard EN14716:2005. CE marked construction products are covered by a Declaration of Performance (DOP) which enables customers and users to easily compare performance of products available on the European market.

INSTALLATION DIAGRAM IN DETAIL WWW.ECOPHON.COM

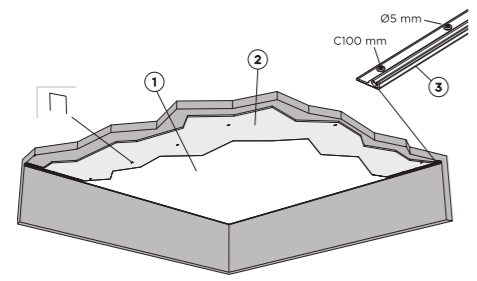
M596
Installation diagram (M596) for Clipso SO Acoustic AB, ceiling application with PCW profiles



M597
Installation diagram (M597) for Clipso SO Acoustic AB, wall application with PCC profiles.



M598
Installation diagram (M571) for Clipso SO Acoustic, ceiling application with
PCC profiles



© Saint-Gobain Ecophon AB





Sustainability

Towards net-zero acoustics

Sustainability is more than a word – it’s a collective movement to protect people and the planet that requires honest commitment and genuine care. That’s why Ecophon is building on better materials, transparency, and principles, to name just a few.

We actively support an industry-wide drive to standardised, easy-access Environmental Product Declarations for individual products, rather than product families. Their inclusion of full lifecycle data,

from raw material sourcing to end of life, rather than only the favourable stages. A move away from self-declared labels, or non-independently verified sustainability claims. And for any promises of net zero carbon emission targets to be validated by the Science-Based Targets initiative.

If we’re going to build a sustainable future, it has to start with an honest approach, high ambition and the best of intentions – to build on better together.

Ecophon is the leading supplier of indoor acoustic solutions that improve working performance and quality of life. We believe in the difference sound can make to our everyday lives, and are passionate advocates for the importance of room acoustics to people's wellbeing – whatever the space, activity or need.

Having a sound effect on people is the principle that guides all we do. We're proud of the Swedish heritage and human approach that promise is founded on. Our uncompromising commitment to transparent sustainable practice. And, as members of the Saint-Gobain Group, to be doing our part in making the world a better home.



Saint-Gobain Ecophon AB
Box 500, SE-265 03 Hyllinge, Sweden
Phone: +46 (0)42 17 99 00
Fax: +46 (0)42 22 55 55
www.ecophon.com

SE556142516501 • Based in Åstorp

