

**Ecophon**<sup>®</sup>

Smart solutions  
**for corridors**





The corridor is more

**than an end in itself**





# The busiest room

## in the building

*People use corridors and other transitional spaces to move between different rooms in a building and to transport supplies and materials; they are often unofficial meeting places where informal conversations take place. It could be said that the corridor is a building's most frequented room.*

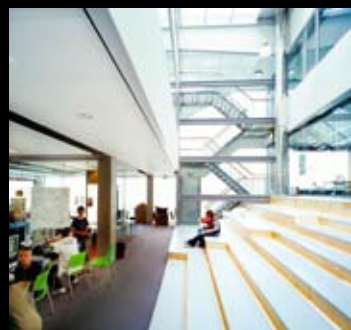
It is what makes the first impression of the building and the activities conducted there - from the entrance to the conference rooms, the classroom or hospital treatment rooms. Corridors are the lifeblood of a building, where function and appearance must have priority.

### **The corridor - more thought required**

Constructing a corridor may involve specialist technical solutions since the void space is often used for pipes and cabling and so may require frequent access. The ceiling should offer a practical and aesthetic solution. By choosing from Ecophon's range of corridor

ceilings you get attractive, safe solutions without any compromise. Furthermore, with better acoustics, the space becomes more effective with an enhanced possibility of being used for other purposes. With Ecophon's products, systems and expertise you get all the required functions, plus increased accessibility and aesthetically pleasing solutions. Do not hesitate to contact us to discuss your ideas.





# Where good sound means everything



*Noise and sounds such as people talking and moving should be restricted in corridors. This can be achieved by increasing the levels of sound absorption.*

Ecophon's research into acoustics has led to the development of Room Acoustic Comfort™. This focuses on the interaction between people, the space and the activity taking place there.

Studies show that you can benefit from many acoustic advantages if class 'A' sound absorbers are used; these include a reduction in reverberation, sound level and sound propagation. This is particularly important in corridors which have a tendency to carry sound along their length and into adjacent rooms.

## **Technical Information**

The acoustic parameter  $DL_2$  (describing how sound fades with distance from its source) and the parameter  $DL_r$  (measuring the rooms contribution to the sound level) are used to assess a corridor's acoustic comfort. Using these parameters an acoustician can calculate the acoustic measures needed to create the desired sound environment. For example; in a narrow corridor fitted with class 'A' sound absorbers the sound level  $DL_2$  would decrease by 3-4 dB(A) per doubling of distance. The sound level ( $DL_r$ ) in the same room will be 7-8 dB(A) higher than it would be if measured out of doors (where there are no reflecting surfaces) and approximately 4-5 dB lower than the values for the same space without acoustic treatment. This indicates the existence of a good indoor sound environment.

For more detailed information on achieving Room Acoustic Comfort™ visit our website [www.ecophon.it](http://www.ecophon.it)





### **Healthcare**

In hospitals, it is desirable to keep doors open while working so that patients and monitoring equipment can be heard by staff. Corridors between rooms are often very busy and a lot of communication takes place in these areas, raising noise levels and often disturbing patients. It is important for hospital staff to communicate clearly and effectively so voice communication must be optimal. A poor sound environment with noise transfer from the corridor can increase existing feelings of insecurity and stress for patients and staff therefore the best possible room acoustics must be created throughout all areas of a hospital.



### **Education**

High noise levels in corridors can cause the sound volume to rise inside a classroom, disturbing lessons, disrupting teaching and placing strain on the teachers voice. Good acoustics in a school corridor are just as important as they are in a classroom if all spaces are to be used effectively.



### **Offices**

Many conversations take place in office corridors but they must not disturb those working in other areas. Some offices also keep coffee or water machines, noisy printers and photocopiers in corridors, placing extra demands on the sound environment. Therefore it's important to create a good acoustic environment throughout corridors and all office spaces to get the balance right and minimise disturbance.

# Ecophon Access™

## making access easy!

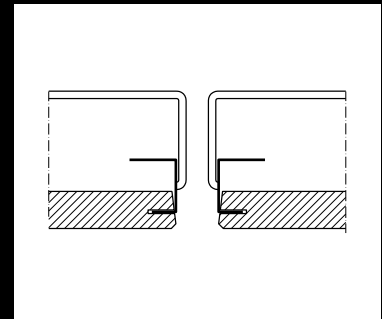
*The correct choice of acoustic ceiling is attractive and contributes to good acoustic comfort. It is not necessary to accept an inferior solution in order to have total accessibility.*

Most buildings require installations such as ventilation channels, heating and cooling systems, sprinkler and water pipes, electricity and computer cables etc. The installations in hospitals and care premises can be even more complex. All of these have to be maintained, replaced, supplemented and renewed. The best place to conceal these installations is usually above the ceiling.

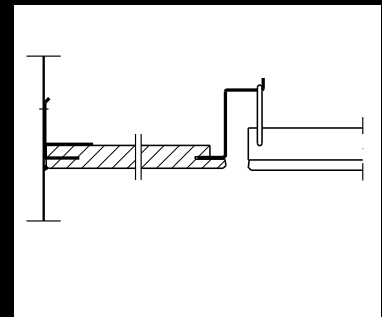
### **Frees the whole ceiling**

Undertaking work on services is much easier if the installations can be exposed. Ceiling elements that can be lowered are the best long-term solution where there is a regular need to access the installations. Ecophon Access™ allows whole ceiling modules to be easily lowered, freeing whole lengths of ceiling and with no restrictive cross tees. The units can be lowered on both sides, so doors and passages are not blocked. On completion of the work, the modules can be replaced into their correct positions very quickly.

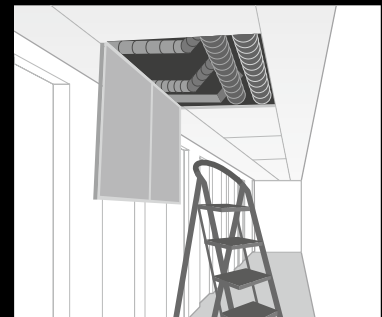
Access ceiling elements consist of a sound absorber in a steel frame, making the construction stable and resilient. Access can be demounted and replaced many times without damaging the panels and it is easy to clean. Connecting Access to other Ecophon ceilings gives very attractive results.



Access C. Cross section between two ceiling elements.



Access C. Transition between Access element and Access frieze connected to wall.



It is easy to lower whole ceiling elements, exposing large areas along the entire corridor.



# Ecophon Focus™ Ds XL

## for smooth, stylish surfaces

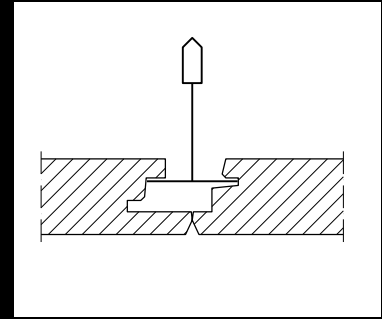
*Aesthetically, it can be an advantage to choose slightly longer, wall to wall ceiling tiles in corridors. When the tile is removed, the entire width of the corridor is exposed.*

If it is occasional access is required to the ceiling void, we recommend Ecophon Focus™ Ds XL. These tiles come in lengths of up to 2400 mm. This means that longitudinal profiles can be avoided in corridors, making work on ceiling installations much easier and giving a uniform, clear ceiling.

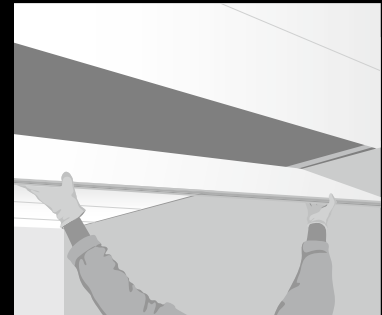
If you choose Focus XL with our edge – Ds – you get a concealed grid with a symmetrical edge design that makes installation and demounting simple.

### **Choose the ceiling according to the need**

If installations will only require occasional access, there are other Focus XL ceiling solutions to choose from: [www.ecophon.it](http://www.ecophon.it)



Focus Ds XL. Cross section between two elements.



Focus Ds XL is easy to install and to demount.



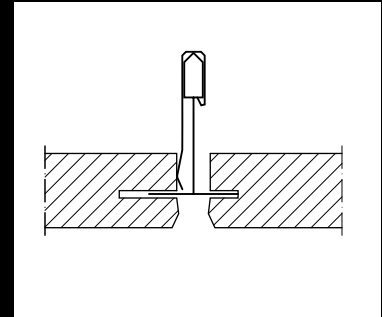
# Ecophon Super G™ Dp XL

## stands tough treatment

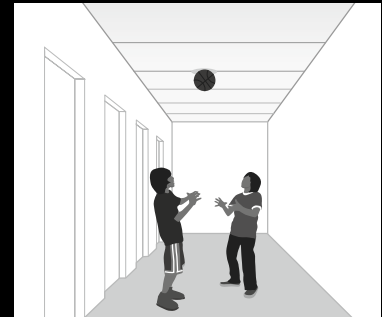
*Ecophon Super G™ Dp XL is the acoustic ceiling for demanding environments like school corridors. With its resilient, Super G surface and with the unique, sprung mechanism, this ceiling stands up to high impact. At the same time, the system is easy to install and to demount.*

Our new Super G Dp XL acoustic ceiling system, in lengths of up to 2400 mm, for corridors, has a spring-loaded fastening mechanism in the grid. Considerable force would be required for balls, bags or other objects hitting the surface to dislodge or damage the ceiling. The tiles will stay firmly in place.

The ingenious fastening means that you get a resilient ceiling in combination with the ability to easily install or demount the ceiling tiles when work needs to be done in the ceiling void. This has proved very popular with caretakers and maintenance staff in our schools.



Super G Dp XL. Cross section between two elements.



Super G Dp XL is resistant to rough treatment such as in school corridors.



When being installed, the ceiling tile is pressed against the spring in the profile, clicking into the groove.

Science

# Ecophon frieze

## a sound-absorbing margin

*The ceiling margin is the part of the corridor where sound absorption is most important and is often most effective. With Ecophon's products you can utilise the entire ceiling area to improve the acoustics. One person can do all the installation work and you get an attractive, uniform ceiling.*

A common choice is to install fixed ceiling tiles along corridor walls. This makes it easy and safe to incorporate attractive lighting, whilst avoiding appliances in the demountable ceiling elements.

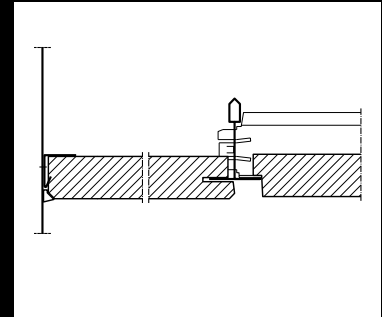
All the installation work can be done at the same time, and expensive, time-consuming processes such as painting become unnecessary. The whole ceiling can be kept open during installation work and one person can do the entire job. The system is flexible and can be installed in all types of corridors irrespective of width. It is easy to compensate for building tolerances since the ceiling tiles are simple to cut and adapt to the trim and the shape of the wall.

### **Ecophon Access™ frieze**

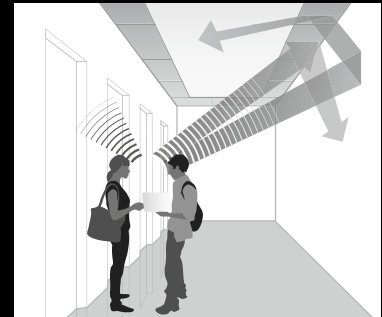
Access frieze can be integrated with our other Access products, using the same surface material over the whole ceiling. Edge design and transitions are based on a common system in order to create a uniform ceiling.

### **Ecophon Focus™ frieze**

Focus frieze - a patented solution - is adapted to Focus ceiling tiles and is used when it is neither desirable nor possible for the tiles to span from wall to wall.



Focus E frieze. Cross section in junction with wall.



Ceiling sound absorption is particularly important beside the wall. In the angle between ceiling and wall, the ceiling surface is hit by direct sound and by sound reflected from the rest of the wall, so sound absorption is extra important.





# Ecophon Line™

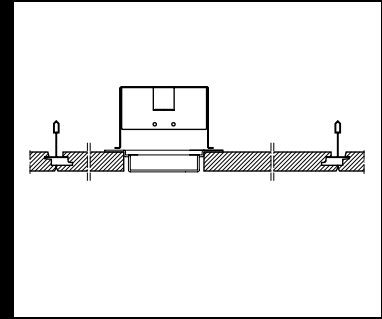
## distinguishes direction

*Corridors require efficient lighting as they often lack windows. A poorly lit corridor can be irritating since the eye does not have time to adjust between light and dark areas as you walk along. Well planned lighting also reinforces a corridor's direction.*

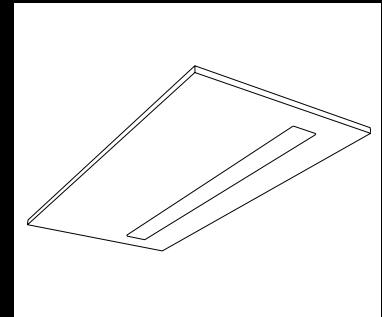
Since ceilings are often low, the acoustic ceiling is the best place for light fittings. Ecophon's systems have been developed to carry different types of installations. The grid is strong and it is easy and safe to make precise openings for lighting.

### **Integrated lighting**

The system includes ceiling tiles with integrated light fittings, such as Ecophon Line™, with the fitting easily integrating into the ceiling – an attractive solution providing the whole corridor with a pleasant light. With an integrated accessible system it is straightforward to take down the ceiling tile and clean the light fitting on both sides.



Line installed in Focus Ds. Cross section.



Line is a rectangular light fitting integrated into the acoustic ceiling.



# Ecophon Lighting

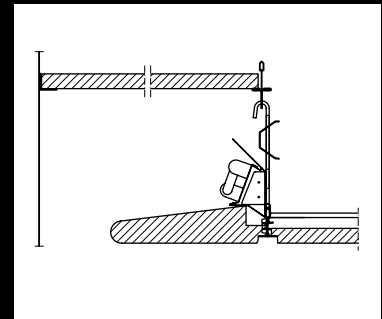
## opens up the corridor

*By using light fittings that indirectly reflect light off of a matt, white ceiling, you get a pleasant, even light in the corridor. The ceiling surface must have high levels of light reflection and light diffusion.*

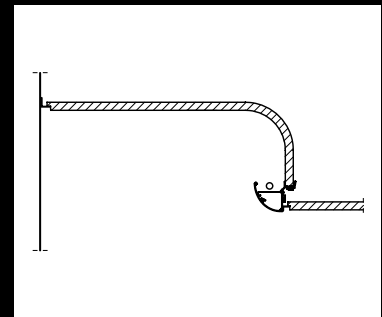
Ecophon's Akutex™ FT surface makes use of indirect light and reflects it evenly in the corridor without any risk of glare. The white, uniform surface provides a completely new kind of spatial experience. There is a high level of light reflection, allowing a reduction in the installed power, in the number of light fittings and, in turn, operating costs. Together with the best possible sound absorption, you get an attractive, aesthetically pleasing acoustic ceiling.

### Systems for indirect lighting

By illuminating the walls via concealed light rails in the acoustic ceiling, the corridor seems wider. With Ecophon Focus™ Wing, ideal for integrated indirect lighting, the ceiling becomes more of a design element than just a surface. Ecophon Illuminated level changes can be used to give an impression of space to the corridor.



Focus Wing E with Ecophon WingLight™. Cross section.



Uplight Extrusion with an curved absorber against the wall.



Read more about Akutex, the revolutionary painted surface on [www.ecophon.co.it](http://www.ecophon.co.it)



# The systems that

## **secure sound success**



*The Ecophon Connect™ grid includes a number of components that can be used in many different installation situations. It is a robust, time saving system that gives flexible, aesthetically pleasing ceiling installations. The patented cross tee, provides a safe joint that makes the whole ceiling easy to demount.*

### **Connect modular angle trim with Ecophon Soft Fixing™**

Thanks to an ingenious notching in the longitudinal grid profiles of our modular angle trim, corridor profiles are fixed in place and ceiling tiles with concealed grid can be removed and replaced safely and easily. The corridor profiles can be demounted with one simple movement, allowing the whole ceiling to be exposed. It is thus now possible to choose an acoustic ceiling such as Ds – the new edge design from Ecophon – for corridors that must allow access to the ceiling void. The modular angle trim

is also perfect for Super G™ Dp XL and other products from Ecophon's range.

A conventional trim is rigid with the material having a tendency to bend either up or down due to the forces that may build up when the trim is fixed back to an imperfect wall. With Ecophon's new technology, the ceiling tiles can lie plane to the wall along the whole corridor, even if the wall is uneven and moves outwards or inwards. Trims made using Ecophon Soft Fixing reduce the risk of deformation with the tiles lying close to the grid and without any unattractive shadowing.

Junctions with walls can cause problems of aesthetics, particularly in corridors where the walls are long, with a distinct, visible presence along the line of sight. With the help of Soft Fixing, you have access to a unique solution with forgiving angle trim.



### **Spring-loaded fastening**

A custom-made steel spring is fixed into the grid during installation of the resilient Ecophon Super G™ Dp XL acoustic ceiling. The ceiling tiles, pressed against the sprung profile, fit into their exact position. When demounting, the tile is pressed against the spring and can then be taken down. The spring loading means that the tile is “locked” in the grid when it is mounted, reducing the risk of it being dislodged by mistake.



### **Mounting of Ecophon Access™**

Ecophon Access™ is based on a construction with a steel profile grid and clasps on which the ceiling elements are hung at the sides. The elements can be lowered easily and safely and hang freely from either side.

# Let functions and requirements decide

*It must be easy to make the right choice. The following table presents an overview of the corridor systems that best meet your particular needs.*

These recommendations are based on our long experience of the demands and requirements that the acoustic ceiling should fulfil, depending on the premises. In case of special conditions, an analysis of detail should be conducted. For information about the properties of each acoustic ceiling system, please refer to our product pages.

Systems	Application Area			Accessibility		
	Healthcare	Education	Office	Often	Sometimes	Seldom
Access A, C and E Framed, full accessibility	•••		•••	✓	✓	✓
Focus A XL Visible grid	••	••	••			✓
Focus Dg XL Recessed, visible grid	••	••	••		✓	✓
Focus Ds XL Concealed grid	••	••	•••		✓	✓
Focus E XL Recessed, visible grid	••	••	••			✓
Super G Dp XL Impact resistant, recessed visible grid		•••			✓	✓

•••=Recommendation

••=Good alternative

Systems	Additional solutions		
	WingLight	Ecophon Line, Dot, Square	Frieze
Access A, C and E			•
Focus A			•
Focus E	•	•	•
Focus Dg		•	•
Focus Ds	•	•	•

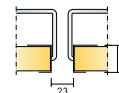
X=Possible combination

CAD drawings and instructions for installation and demounting can be found on our website, [www.ecophon.it](http://www.ecophon.it)





# ECOPHON ACCESS™ A



For corridors or areas with service installations in the ceiling void where frequent access is required. Ecophon Access A is arranged in rows, with a 23 mm space between individual panels and is mounted wall-to-wall, with or without margins in corridors. As an alternative Ecophon Access A can be installed in “rows” in a large area or room creating a visible grid pattern.

## SYSTEM AND PRODUCT DESCRIPTION

The system consists of Ecophon Access A panels and Connect Access grid systems, with an approximate weight of 4 kg/ m<sup>2</sup>.

The panel consists of a sound absorber and a channel profile frame. Two hangers are fitted to the frame.

The absorber is manufactured from high density glass wool. The visible surface has an Akutex FT coating and the back of the absorber is covered with glass tissue.

The channel profile frame and the grid are manufactured from galvanized steel.

## SYSTEM RANGE

Size, mm	(800-2000)	
	(800-2000)	(800-2000)
Special fixing	•	•
Thickness	27	27
Inst. diagr.	M60	M60

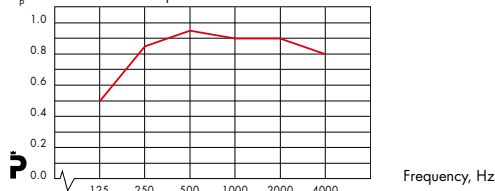


### ACOUSTICS:

SOUND ABSORPTION: Test results according to EN ISO 354.

o.d.s = overall depth of system

$\alpha_p$  Practical sound absorption coefficient



— Ecophon Access A 200 mm o.d.s.

Classification according to EN ISO 11654, and the single value ratings for NRC and SAA according to ASTM C 423.

Product	Access A	
	200	400
O.d.s. mm	200	400
Absorption class	A	
NRC	1,00	0,90
SAA	0,96	0,91
$\alpha_w$	0,90	

SOUND INSULATION: Not applicable.

SOUND PRIVACY: Not applicable.



Access A panel



Integration between wall and Access A with Access Universal profile



Access A system



Access A system with Access Frieze



**ACCESSIBILITY:** Each Access A panel is hinged from two opposite sides. The panels are easy to remove for complete demounting. In the lowered position Access A offers full accessibility in the direction of the row. Minimum demounting depth according to installation diagram.



**CLEANABILITY:** Daily dusting and vacuum cleaning. Weekly wet cleaning.



**LIGHT EFFICIENCY:** White Frost, nearest NCS colour sample S 0502-Y, 84% light reflectance (of which more than 99% is diffuse reflection).



**INFLUENCE OF CLIMATE:** Access A panels withstand a permanent ambient RH of up to 95% at 30°C without sagging, warping or delaminating (ISO 4611).



**INDOOR CLIMATE:** Certified by the Indoor Climate Labelling and is recommended by the Swedish Asthma and Allergy Association.



**ENVIRONMENTAL INFLUENCE:** Granted Nordic ‘Swan’ eco-label. Fully recyclable.



**FIRE SAFETY:** Reaction-to-fire classifications.

Country	Standard	Class
Europa	EN 13501-1	A2-s1,d0

The glass wool core of the panels is tested and classified as non-combustible according to prEN ISO 1182. See Functional demands, Fire safety.



**MECHANICAL PROPERTIES:** For information regarding live load and requirements for load bearing capacity, see installation diagrams. Conditions: See Functional demands, Mechanical properties.



**INSTALLATION:** Installation according to installation diagram M60, which includes information regarding minimum overall depth of system.



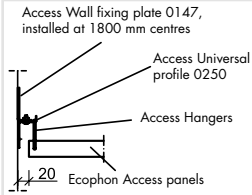
[www.ecophon.it](http://www.ecophon.it), CADsupport, Product selector, Specification, Maintenance manual



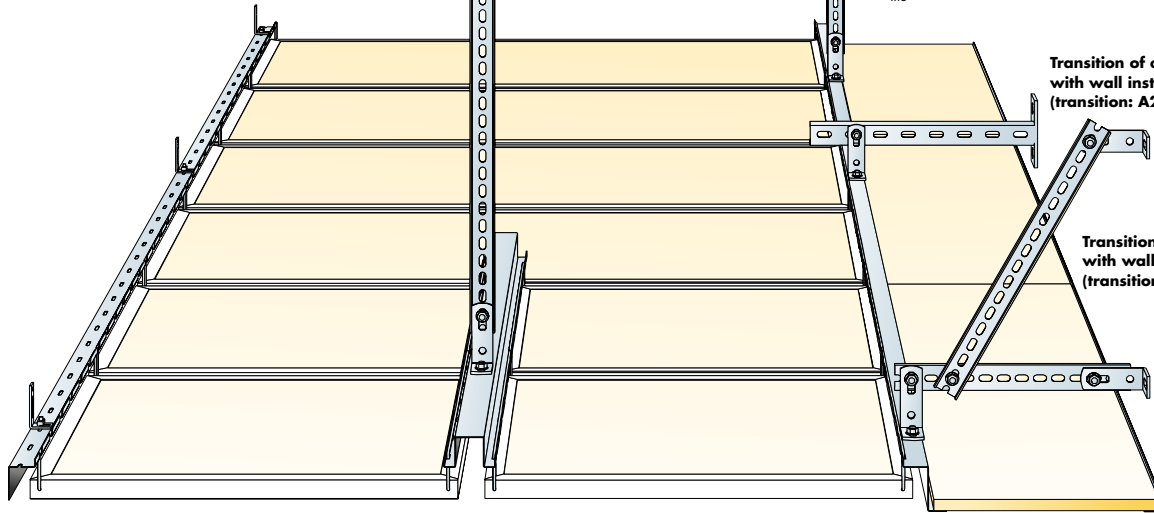
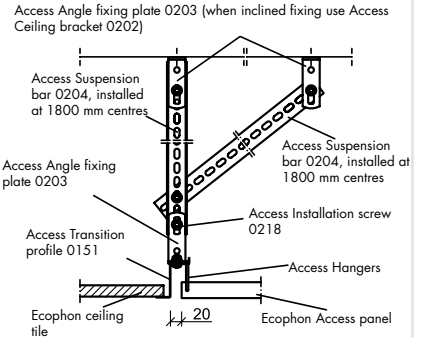
[www.ecophon.it/itce](http://www.ecophon.it/itce)

# INSTALLATION DIAGRAM (M60) FOR ECOPHON ACCESS A

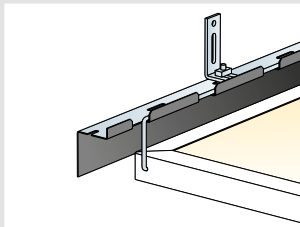
## Junction with wall (junction: A2\_A21)



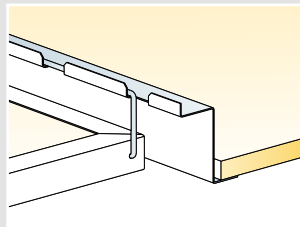
## Junction with ceiling suspended from the soffit (junction: A2\_A24)



## Installation in double rows (transition: A2\_A22)



Junction with wall



Junction with acoustic ceiling

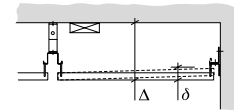
Max live load. Min. load bearing capacity for suspension components.

Size (mm)	Max live load (N)	Min load bearing capacity (N)
(800-2000)x600	60	220
(800-2000)x1200	30	220

Live load should be transferred and fixed to the frame on the supported sides of the panel.

Live load/Load bearing capacity.

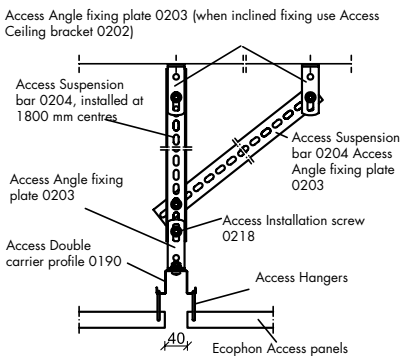
Min. overall depth of system: 120 mm



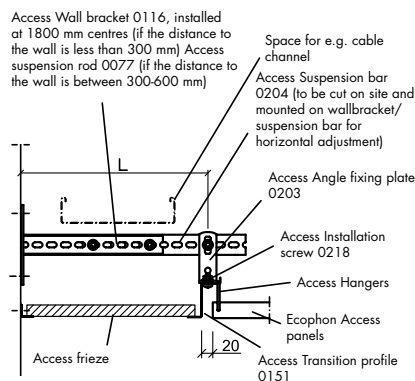
Min. demounting depth: 80 mm

Vertical measurements

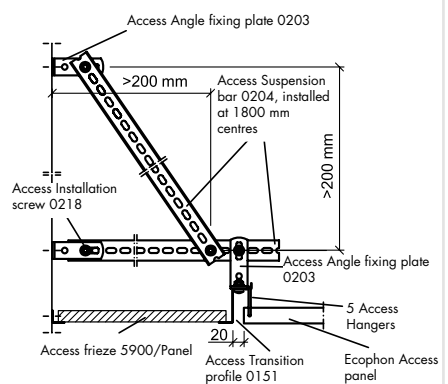
## Installation in double rows (transition: A2\_A22)



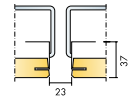
## Transition of ceiling with wall installation 1 (transition: A2\_A23)



## Transition of ceiling with wall installation 2 (transition: A2\_A27)



# ECOPHON ACCESS™ C



For corridors or areas with service installations in the ceiling void where frequent access is required. Ecophon Access C is arranged in rows, with a 23 mm space between individual panels and is mounted wall-to-wall, with margins in corridors. As an alternative Ecophon Access C can be installed in “rows” in a large area or room creating a smooth ceiling.

## SYSTEM AND PRODUCT DESCRIPTION

The system consists of Ecophon Access C panels and Connect Access grid systems, with an approximate weight of 4 kg/m<sup>2</sup>.

The panel consists of a sound absorber and a channel profile frame. Two hangers are fitted to the frame.

The absorber is manufactured from high density glass wool. The visible surface has an Akutex FT coating and the back of the absorber is covered with glass tissue. The edges are bevelled and painted.

The channel profile frame and the grid are manufactured from galvanized steel.

## SYSTEM RANGE

Size, mm	(800-2000)	
	(800-2000) x 600	(800-2000) x 1200
Special fixing	•	•
Thickness	37	37
Inst. diagr.	M63	M63

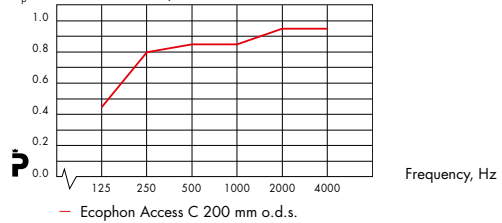


### ACOUSTICS:

SOUND ABSORPTION: Test results according to EN ISO 354.

o.d.s = overall depth of system

$\alpha_p$  Practical sound absorption coefficient



Classification according to EN ISO 11654, and the single value ratings for NRC and SAA according to ASTM C 423.

Product	Access C	
	200	400
O.d.s. mm	200	400
Absorption class	A	
NRC	0,90	0,85
SAA	0,87	0,83
$\alpha_w$	0,85	

SOUND INSULATION: Not applicable.

SOUND PRIVACY: Not applicable.



Access C panel



Integration between wall and Access C with Access Universal profile



Access C system



Access C system with Access frieze



**ACCESSIBILITY:** Each Access C panel is hinged from two opposite sides. The panels are easy to remove for complete demounting. In the lowered position Access C offers full accessibility in the direction of the row. Minimum demounting depth according to installation diagram.



**CLEANABILITY:** Daily dusting and vacuum cleaning. Weekly wet cleaning.



**LIGHT EFFICIENCY:** White Frost, nearest NCS colour sample S 0502-Y, 84% light reflectance (of which more than 99% is diffuse reflection).



**INFLUENCE OF CLIMATE:** Access C panels withstand a permanent ambient RH of up to 95% at 30°C without sagging, warping or delaminating (ISO 4611).



**INDOOR CLIMATE:** Certified by the Indoor Climate Labelling and is recommended by the Swedish Asthma and Allergy Association.



**ENVIRONMENTAL INFLUENCE:** Granted Nordic ‘Swan’ eco-label. Fully recyclable.



**FIRE SAFETY:** Reaction-to-fire classifications.

Country	Standard	Class
Europe	EN 13501-1	A2-s1,d0

The glass wool core of the panels is tested and classified as non-combustible according to prEN ISO 1182. See Functional demands, Fire safety.



**MECHANICAL PROPERTIES:** For information regarding live load and requirements for load bearing capacity, see installation diagrams. Conditions: See Functional demands, Mechanical properties.



**INSTALLATION:** Installed according to installation diagram M63, which includes information regarding minimum overall depth of system.



[www.ecophon.it](http://www.ecophon.it), CADsupport, Product selector, Specification, Maintenance manual

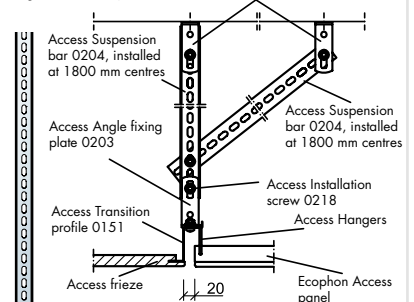


[www.ecophon.it/itce](http://www.ecophon.it/itce)

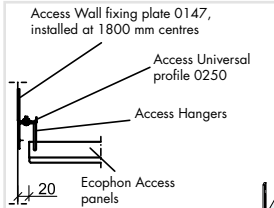
# INSTALLATION DIAGRAM (M63) FOR ECOPHON ACCESS C

## Junction with ceiling suspended from the soffit (junction: A2\_C24)

Access Angle fixing plate 0203 (when inclined fixing use Access Ceiling bracket 0202)

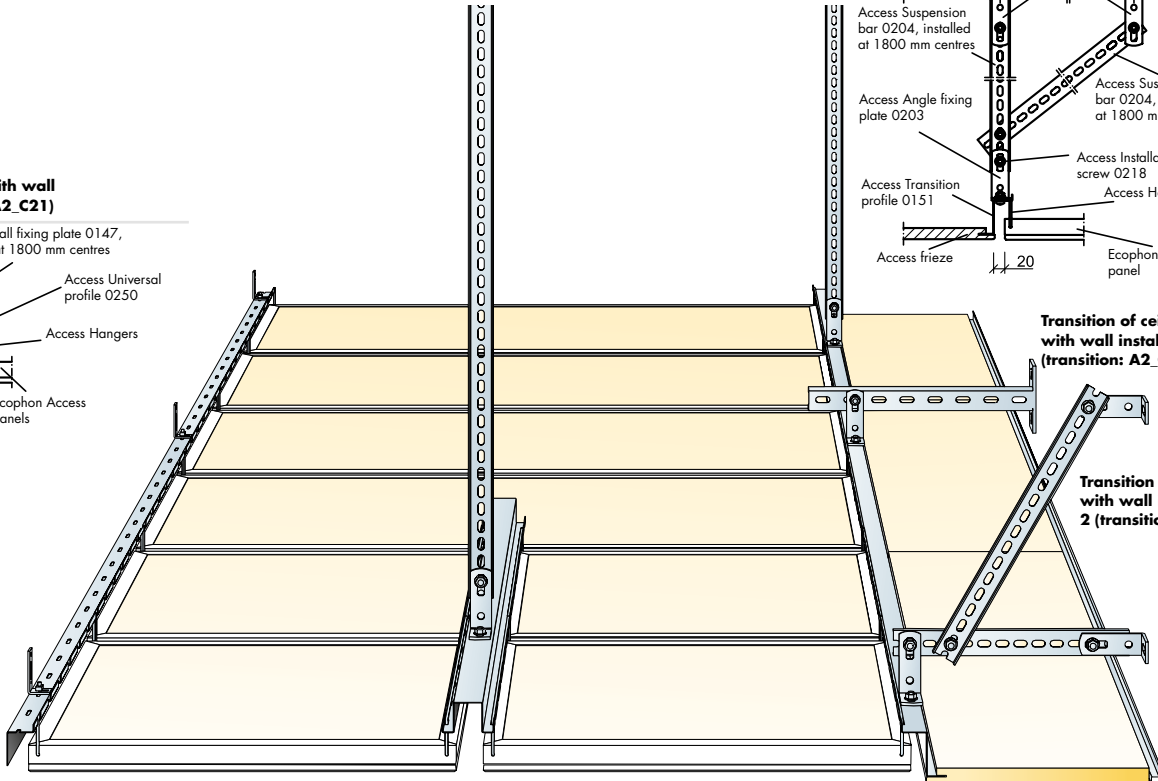


## Junction with wall (junction: A2\_C21)

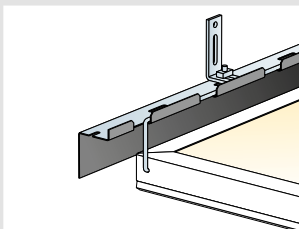


## Transition of ceiling with wall installation 1 (transition: A2\_C23),

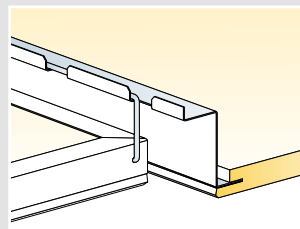
## Transition of ceiling with wall installation 2 (transition: A2\_C27),



## Installation in double rows (transition: A2\_C22)



Junction with wall



Junction with Access frieze

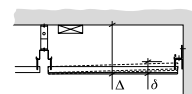
Max live load. Min. load bearing capacity for suspension components.

Size (mm)	Max live load (N)	Min load bearing capacity (N)
(800-2000)x600	60	220
(800-2000)x1200	30	220

Live load should be transferred and fixed to the frame on the supported sides of the panel.

Live load/Load bearing capacity.

Min. overall depth of system: 130 mm

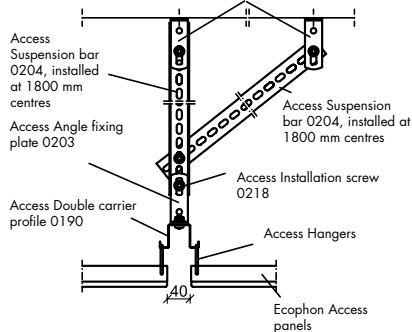


Min. demounting depth: 90 mm

Vertical measurements

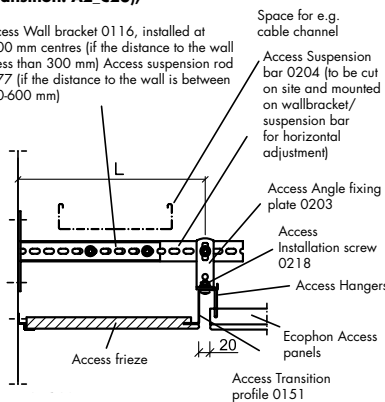
## Installation in double rows (transition: A2\_C22)

Access Angle fixing plate 0203 (when inclined fixing use Access Ceiling bracket 0202)



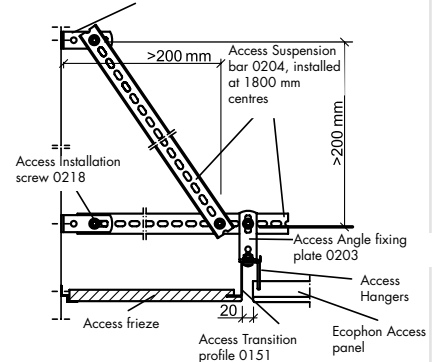
## Transition of ceiling with wall installation 1 (transition: A2\_C23),

Access Wall bracket 0116, installed at 1800 mm centres (if the distance to the wall is less than 300 mm) Access suspension rod 0077 (if the distance to the wall is between 300-600 mm)

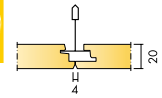


## Transition of ceiling with wall installation 2 (transition: A2\_C27),

Access Angle fixing plate 0203



# ECOPHON FOCUS™ Ds XL CORRIDOR



For corridor applications where a suspended ceiling with a concealed grid is required, but individual tiles must be easily demountable. The ceiling has an even appearance, with the bevelled edges forming a discreet groove between the tiles. The tiles are easily demountable.

## SYSTEM AND PRODUCT DESCRIPTION

The systems consist of Ecophon Focus Ds tiles and Ecophon Connect grid systems, with an approximate weight of 3-4 kg/m<sup>2</sup>.

The tiles are manufactured from high density glass wool. The visible surface has an Akutex FT coating and the back of the tile is covered with glass tissue. The edges are painted. For best performance and system quality, use Ecophon Connect grid and accessories.

The grid is manufactured from galvanized steel.

## SYSTEM RANGE

Size, mm	1600	1800	2000	2400
	x	x	x	x
	600	600	600	600
T24	•	•	•	•
Thickness	20	20	20	20
Inst. diagr.	M238	M238	M238	M238

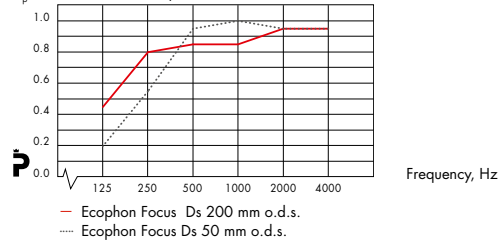


## ACOUSTICS:

SOUND ABSORPTION: Test results according to EN ISO 354.

o.d.s = overall depth of system

$\alpha_p$  Practical sound absorption coefficient



Classification according to EN ISO 11654, and the single value ratings for NRC and SAA according to ASTM C 423.

Product	Focus Ds XL Corridor				
	O.d.s. mm	60	75	200	400
Absorption class		B	A	A	
NRC		0,90			0,80
SAA		0,90			0,82
$\alpha_c$		85,00	9,00	9,00	

SOUND INSULATION:  $D_{nL,w}$ =24 dB according to ISO 10848-2 and evaluation according to EN ISO 717-1. CAC=25 dB according to ASTM E 1414 and evaluation according to ASTM E 413.

SOUND PRIVACY: AC(1.5)=180 according to ASTM E 1111 and E 1110.



Focus Ds tile



Section of Focus Ds system



Focus Ds XL system



The individual tiles are easily demountable



**ACCESSABILITY:** The tiles are demountable. Minimum demounting depth according to installation diagrams.



**CLEANABILITY:** Daily dusting and vacuum cleaning. Weekly wet cleaning.



**LIGHT EFFICIENCY:** White Frost, nearest NCS colour sample S 0500-N, 85% light reflectance (of which more than 99% is diffuse reflection). Colours: See Ecophon colour range. Retro reflection coefficient 63 mcd\*m<sup>2</sup>lx<sup>-1</sup>. Gloss < 1.



**INFLUENCE OF CLIMATE:** The tiles withstand a permanent ambient RH up to 95% at 30°C without sagging, warping or delaminating (ISO 4611).



**INDOOR CLIMATE:** Certified by the Indoor Climate Labelling, recommended by the Swedish Asthma and Allergy Association, and can be used in rooms classified as ISO class 6/M3.5.



**ENVIRONMENTAL INFLUENCE:** Granted the Nordic Swan eco-label. Fully recyclable.



**FIRE SAFETY:** Reaction-to-fire classifications.

Country	Standard	Class
Europa	EN 13501-1	A2-s1,d0

The glass wool core of the tiles is tested and classified as non-combustible according to prEN ISO 1182.

The systems are classified as fire protective covering according to NT FIRE 003. See Functional demands, Fire safety.



**MECHANICAL PROPERTIES:** For information regarding live load and requirements for load bearing capacity, see installation diagrams. Conditions: See Functional demands, Mechanical properties.



**INSTALLATION:** Installed according to installation diagram M238 which include information regarding minimum overall depth of system. Since the tiles need precise positioning, integration of services requires extra care during design and installation in order to achieve a good end result.

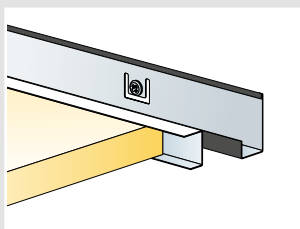
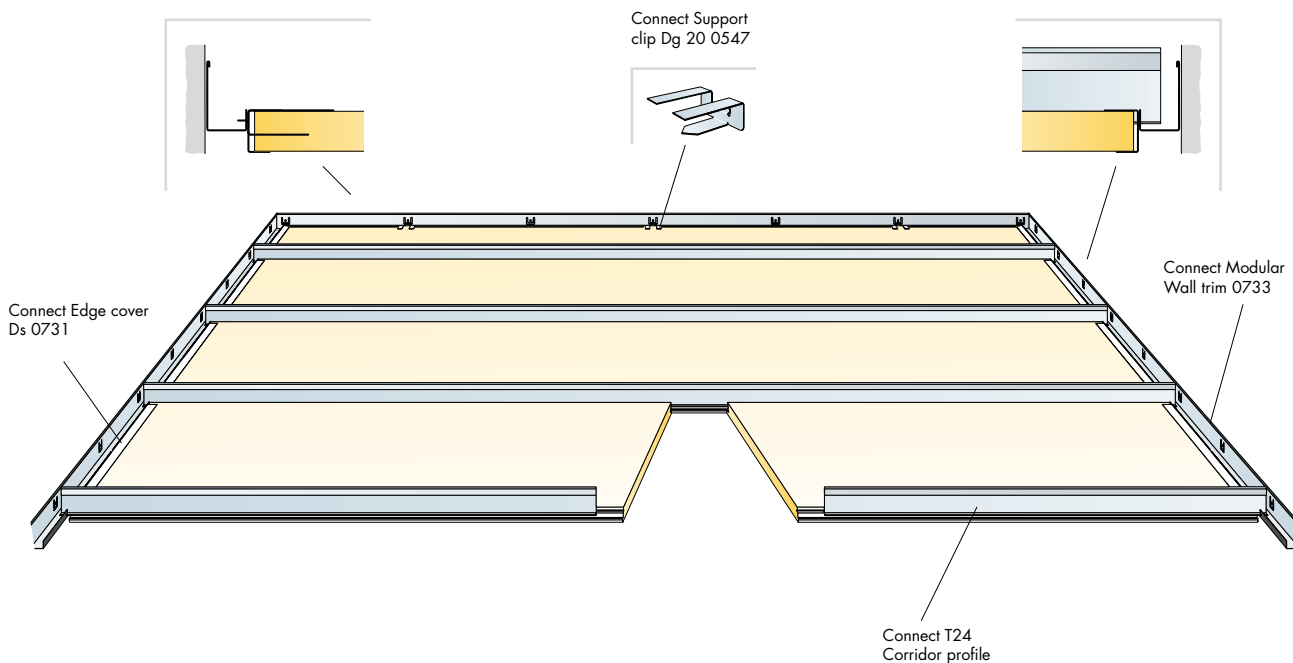


[www.ecophon.it](http://www.ecophon.it) Cadsupport, specification, maintenance manual

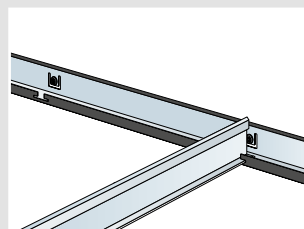


[www.ecophon.it/itce](http://www.ecophon.it/itce)

# INSTALLATION DIAGRAM (M238) FOR ECOPHON FOCUS Ds XL IN CORRIDORS



Tile and Connect Cover trim Ds

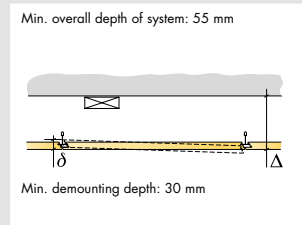


Corridor profile positioned by Modular wall trim

Max live load. Min. load bearing capacity for suspension components.

Size (mm)	Max live load (N)	Min load bearing capacity (N)
1600x600	50	160
1800x600	50	160
2000x600	50	160
2400x600	50	160

Live load/Load bearing capacity.

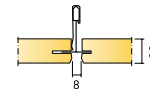


Vertical measurements.

## M238 QUANTITY SPECIFICATION (EXCL. WASTAGE)

	SIZE IN MM			
	1600x600	1800x600	2000x600	2400x600
Ecophon Focus Ds	1,05/m <sup>2</sup>	0,7/m <sup>2</sup>	0,95/m <sup>2</sup>	0,85/m <sup>2</sup>
Connect Modular Wall trim 0733	as required	as required	as required	as required
Connect T24 Corridor profile	as required	as required	as required	as required
Connect Edge cover Ds 0731	2pcs / tile	2pcs / tile	2pcs / tile	2pcs / tile
Connect Support clip Dg 20 0547	as required	as required	as required	as required

# ECOPHON SUPER G™ Dp XL



For ceilings in school corridors and other environments where there is some risk of mechanical impact. Ecophon Super G Dp XL has a semi-concealed grid system, with the Dp edge securing the tiles to the grid. The tiles are demountable.

## SYSTEM AND PRODUCT DESCRIPTION

The systems consist of Ecophon Super G Dp XL tiles and Ecophon Connect grid systems, with an approximate weight of 3-4 kg/m<sup>2</sup>. The tiles are manufactured from high density glass wool. The visible surface has a strong glass fibre fabric and the back of the tile is covered with glass tissue. The edges are painted or natural. For best performance and system quality, use Ecophon Connect grid and accessories. The grid is manufactured from galvanized steel.

## SYSTEM RANGE

Size, mm	1600	1800	2000	2400
	x 600	x 600	x 600	x 600
T24	•	•	•	•
Thickness	20	20	20	20
Inst. diagr.	M240	M240	M240	M240

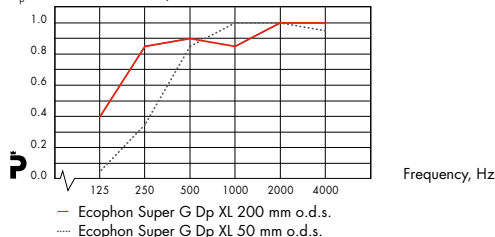


### ACOUSTICS:

SOUND ABSORPTION: Test results according to EN ISO 354.

o.d.s = overall depth of system

$\alpha_p$  Practical sound absorption coefficient



Classification according to EN ISO 11654, and the single value ratings for NRC and SAA according to ASTM C 423.

Product	Super G Dp XL	
	O.d.s. mm	50
Absorption class	C	A

SOUND INSULATION: Not applicable.

SOUND PRIVACY: Not applicable.



Super G Dp XL tile



Section of Super G Dp XL system



Super G Dp XL system



The individual tiles are easily demountable



**ACCESSABILITY:** The tiles are demountable. Minimum demounting depth according to installation diagrams.



**CLEANABILITY:** Daily dusting and vacuum cleaning. Weekly wet cleaning.



**LIGHT EFFICIENCY:** White 085. Nearest NCS colour sample: S 1002-Y. Light reflectance: 78%.



**INFLUENCE OF CLIMATE:** The tiles withstand a permanent ambient RH up to 95% at 30°C without sagging, warping or delaminating (ISO 4611).



**INDOOR CLIMATE:** Certified by the Indoor Climate Labelling and recommended by the Swedish Asthma and Allergy Association.



**ENVIRONMENTAL INFLUENCE:** Granted the Nordic Swan eco-label. Fully recyclable.



**FIRE SAFETY:** Reaction-to-fire classifications.

Country	Standard	Class
Europa	EN 13501-1	A2-s1,d0

The glass wool core of the tiles is tested and classified as non-combustible according to prEN ISO 1182.

The systems are classified as fire protective covering according to NT FIRE 003. See Functional demands, Fire safety.



**MECHANICAL PROPERTIES:** The Super G Dp XL system has been tested according to EN 13964 annex D (and DIN 18 032 part 3) and are classified as 2A. For information regarding live load and requirements for load bearing capacity, see the table. Conditions: See Functional demands, Mechanical properties.



**INSTALLATION:** Installed according to installation diagrams M240 which include information regarding minimum overall depth of system.



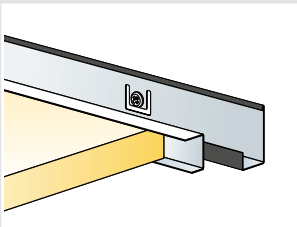
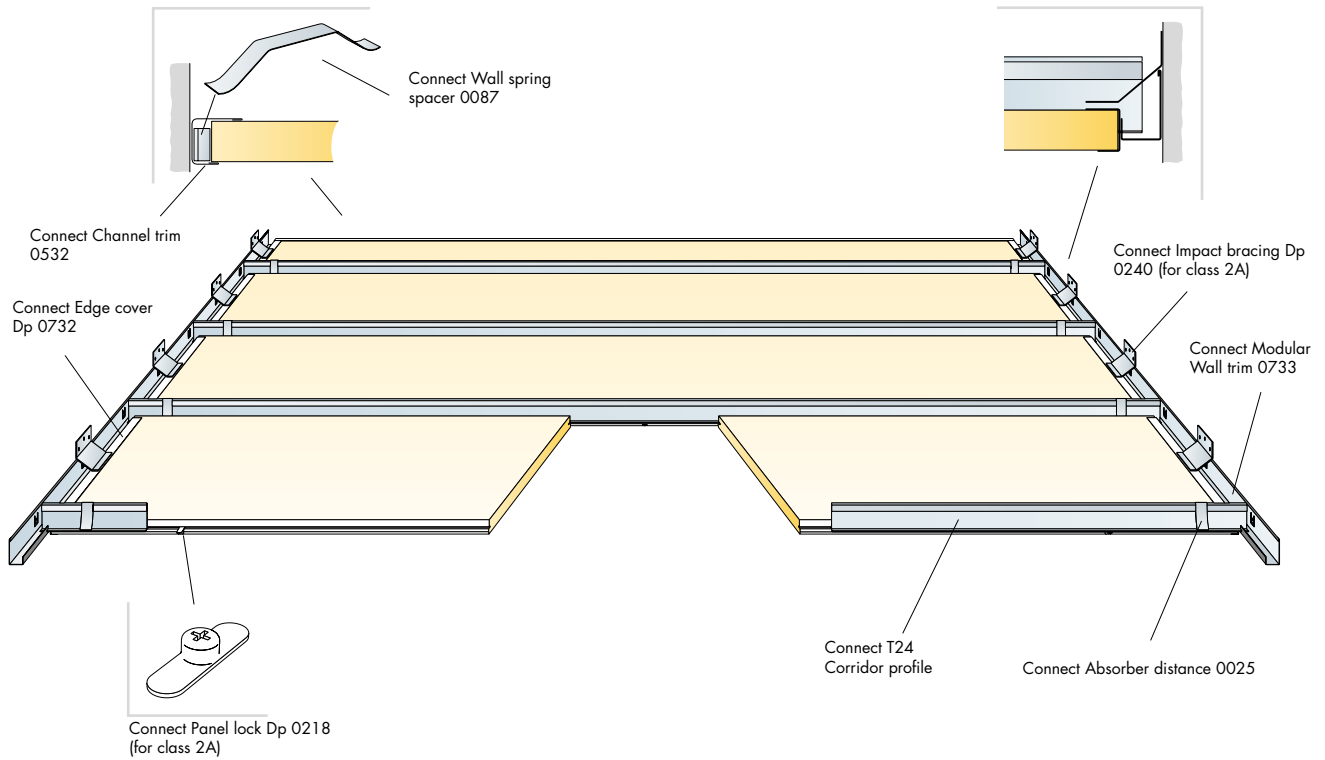
[www.ecophon.it](http://www.ecophon.it) Cadsupport, product selector, specification, maintenance manual



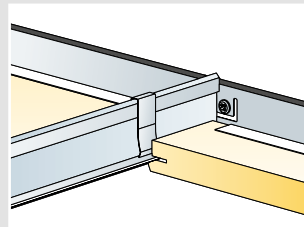
[www.ecophon.it/itce](http://www.ecophon.it/itce)



# INSTALLATION DIAGRAM (M240) FOR ECOPHON SUPER G Dp XL CORRIDORS



Tile with Cover trim and Modular wall trim



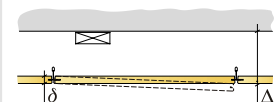
Absorber distance keeps the tiles in place

Max live load. Min. load bearing capacity for suspension components.

Size (mm)	Max live load (N)	Min load bearing capacity (N)
1600x600	50	160
1800x600	50	160
2000x600	50	160
2400x600	50	160

Live load/Load bearing capacity.

Min. overall depth of system: 48 mm



Min. demounting depth: 20 mm

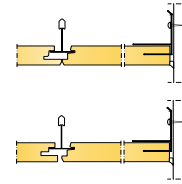
Vertical measurements.

## M240

### QUANTITY SPECIFICATION (EXCL. WASTAGE)

	SIZE IN MM			
	1600x600	1800x600	2000x600	2400x600
Ecophon Super G Dp	1,05/m <sup>2</sup>	0,95/m <sup>2</sup>	0,85/m <sup>2</sup>	0,7/m <sup>2</sup>
Connect Modular Wall trim 0733	as required	as required	as required	as required
Connect T24 Corridor profile	as required	as required	as required	as required
Connect Absorber distance 0025	3pcs / tile	3pcs / tile	3pcs / tile	3pcs / tile
Connect Edge cover Dp 0732	2pcs / tile	2pcs / tile	2pcs / tile	2pcs / tile
Connect Panel lock Dp 0218 (for class 2A)	3pcs / tile	3pcs / tile	3pcs / tile	3pcs / tile
Connect Impact bracing Dp 0240 (for class 2A)	2pcs / tile	2pcs / tile	2pcs / tile	2pcs / tile
Connect Wall spring spacer 0087	3/perimeter tile	3/perimeter tile	3/perimeter tile	3/perimeter tile
Connect Channel trim 0532	as required	as required	as required	as required

# ECOPHON FOCUS™ FRIEZE Ds/Dg



For applications where a smooth continuous transition between the ceiling and the wall is needed. The frieze can be connected to the wall without any visible trims. The tiles are not demountable.

## SYSTEM AND PRODUCT DESCRIPTION

The system consists of Ecophon Focus frieze tiles and Ecophon Connect grid systems, with an approximate weight of 3 kg/m<sup>2</sup>.

The tiles are manufactured from high density glass wool. The visible surface has an Akutex FT coating and the back of the tile is covered with glass tissue. The edges are painted. For best performance and system quality, use Ecophon Connect grid and accessories.

The grid is manufactured from galvanized steel.

## SYSTEM RANGE

Size, mm	
	2400 x 600
T24	•
Thickness	20
Inst. diagr.	M239

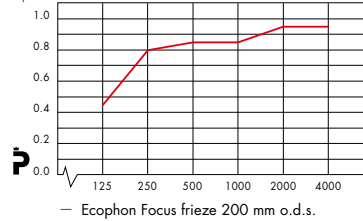


## ACOUSTICS: SOUND ABSORPTION:

Test results according to EN ISO 354.

o.d.s = overall depth of system

$\alpha_p$  Practical sound absorption coefficient



Frequency, Hz

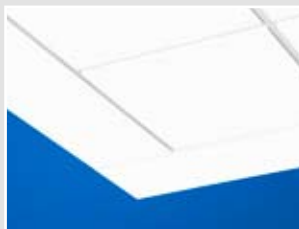
— Ecophon Focus frieze 200 mm o.d.s.

Classification according to EN ISO 11654, and the single value ratings for NRC and SAA according to ASTM C 423.

Product	Focus frieze DsDg
O.d.s. mm	200 400
Absorption class	A
NRC	0,80
SAA	0,82
$\alpha_w$	0,90

SOUND INSULATION:  $D_{n,w}$ =24 dB according to ISO 10848-2 and evaluation according to EN ISO 717-1. CAC=25 dB according to ASTM E 1414 and evaluation according to ASTM E 413.

SOUND PRIVACY: AC(1.5)=190 according to ASTM E 1111 and E 1110.



Focus frieze system



Focus frieze with Connect Frieze trim 0562



Focus frieze with Connect Frieze bracket 0043



**ACCESSABILITY:** The tiles are not demountable.



**CLEANABILITY:** Daily dusting and vacuum cleaning. Weekly wet cleaning.



**LIGHT EFFICIENCY:** White Frost, nearest NCS colour sample S 0500-N, 85% light reflectance (of which more than 99% is diffuse reflection). Retro reflection coefficient 63 mcd\*m<sup>2</sup>lx<sup>-1</sup>. Gloss < 1.



**INFLUENCE OF CLIMATE:** The tiles withstand a permanent ambient RH up to 95% at 30°C without sagging, warping or delaminating (ISO 4611).



**INDOOR CLIMATE:** Certified by the Indoor Climate Labelling, recommended by the Swedish Asthma and Allergy Association, and can be used in rooms classified as ISO class 6/M3.5.



**ENVIRONMENTAL INFLUENCE:** Granted the Nordic Swan eco-label. Fully recyclable.



**FIRE SAFETY:** Reaction-to-fire classifications.

Country	Standard	Class
Europe	EN 13501-1	A2-s1,d0

The glass wool core of the tiles is tested and classified as non-combustible according to prEN ISO 1182.

The system is classified as fire protective covering according to NT FIRE 003. See Functional demands, Fire safety.



**MECHANICAL PROPERTIES:** The individual panel can take additional load according to the conditions in Functional demands, Mechanical properties.



**INSTALLATION:** Installed according to installation diagram M239, which includes information regarding minimum overall depth of system.

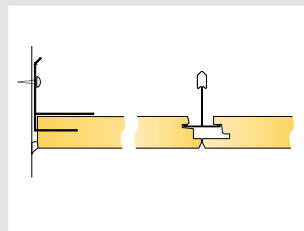
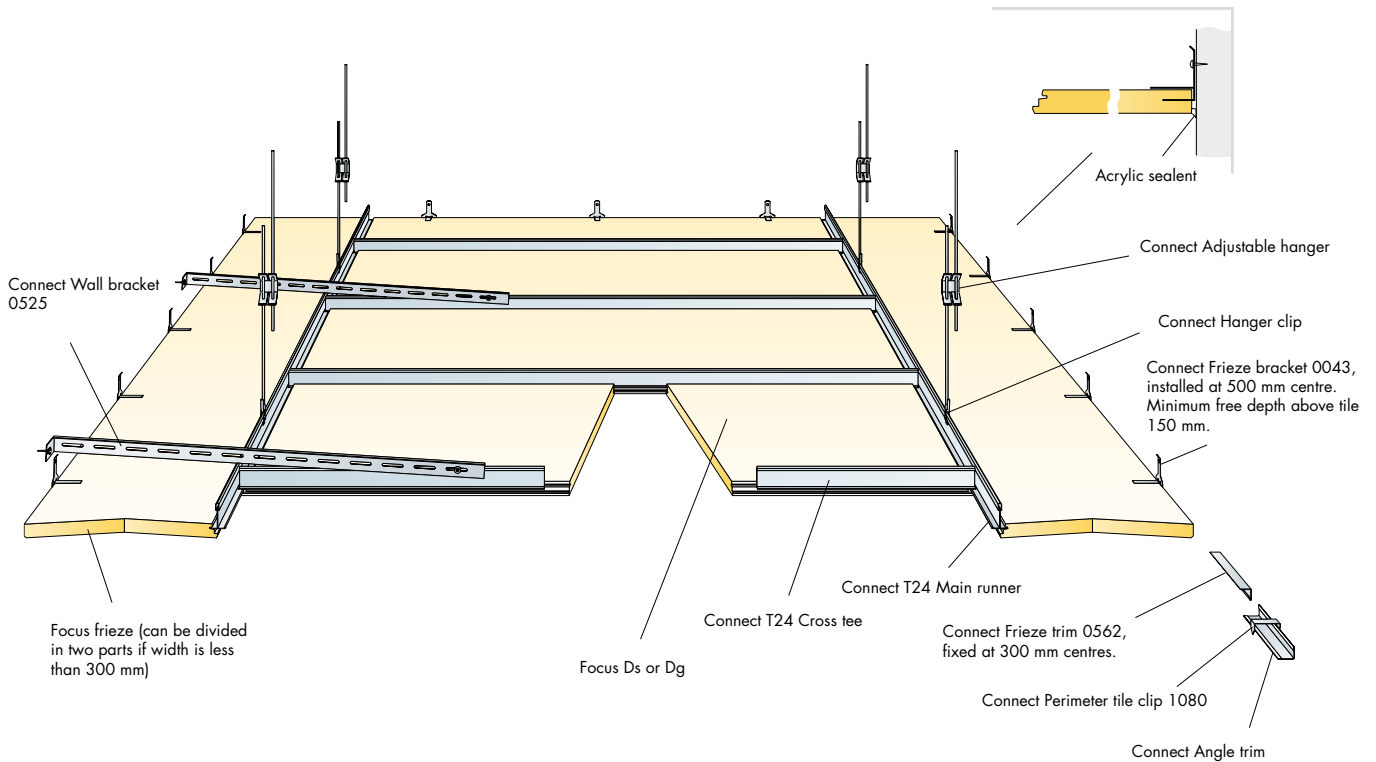


www.ecophon.it Cadsupport, product selector, specification, maintenance manual

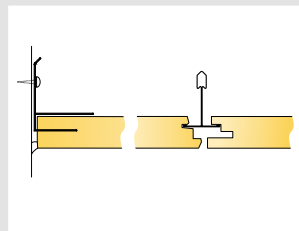


www.ecophon.it/itce

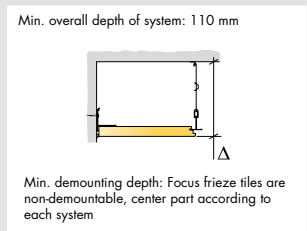
# INSTALLATION DIAGRAM (M239) FOR ECOPHON FOCUS FRIEZE Ds/Dg



Focus frieze with Ds



Focus frieze with Dg



Vertical measurements.

## M239

### QUANTITY SPECIFICATION (EXCL. WASTAGE)

### SIZE IN MM

Ecophon Focus Frieze Ds/Dg	2400x600
Focus Ds or Dg	as required
Connect T24 Main runner	as required
Connect T24 Cross tee	as required
Connect Adjustable hanger	as required
Connect Hanger clip	as required
Connect Frieze bracket 0043, installed at 500 mm centre. Minimum free depth above tile 150 mm.	as required
Connect Frieze trim 0562, fixed at 300 mm centres.	as required
Connect Perimeter tile clip 1080	as required
Connect Angle trim	as required
Acrylic sealant	as required
Connect Wall bracket 0525	as required
Focus frieze (can be divided in two parts if width is less than 300 mm)	as required

# Ecophon®



Saint-Gobain Ecophon AB, Viale Brianza, 25, 20036 Meda (MI) Tel +39 0362 341502, Fax +39 0362 759970,  
[www.ecophon.it](http://www.ecophon.it)